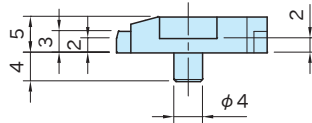
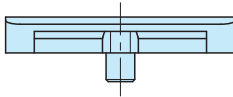
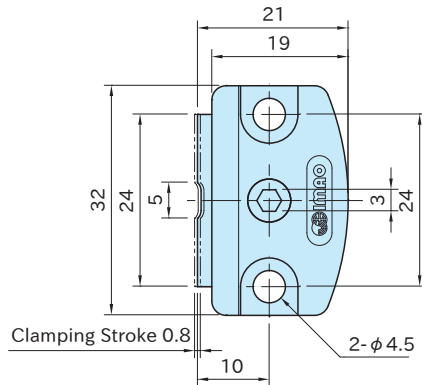


QLSCL

COMPACT LOW-PROFILE CAM EDGE CLAMPS



Body	Jaw / Cam
S45C steel Black oxide finished	SCM440 steel Black oxide finished HRC39-45



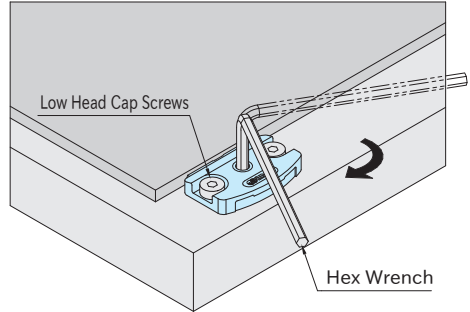
Part Number	Allowable Screw Torque (N·m)	Clamping Force (kN)	Weight (g)
QLSCL05NR	2.1	1.3	18

Feature

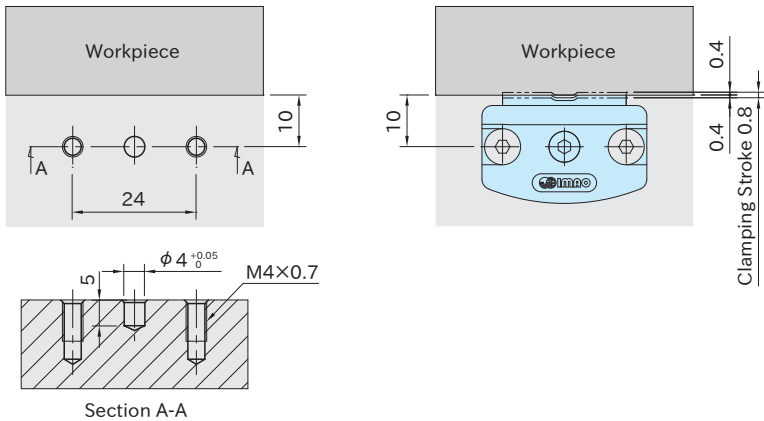
Designed to prevent part lift.

How To Use

- Low head cap screws do not project from the body.
- Turning the cam with a hex wrench allows the cam to project the jaw for clamping. When the cam is turned back for unclamping, the loaded spring lets the jaw return to the original position.



Mounting-Hole Dimension



Note

Ensure that mounting surfaces are finished to $\sqrt[6.3]{6.3a}$ or better, without any scratches or dents.

Performance Curve

