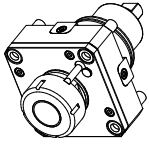
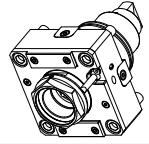
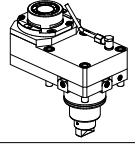
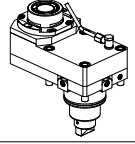
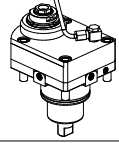
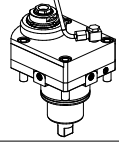
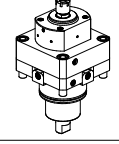
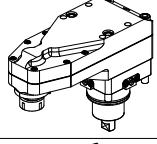
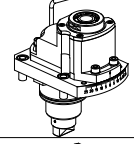

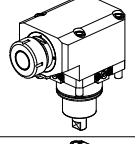
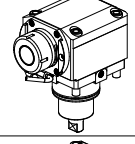
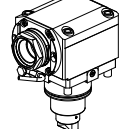
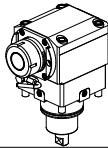
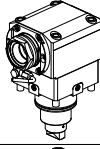
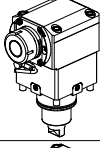
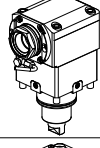
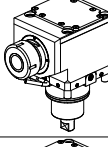
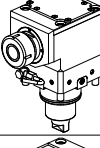
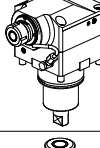
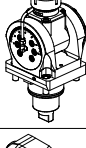
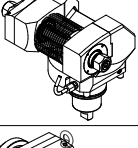
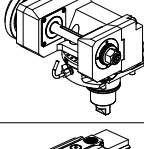
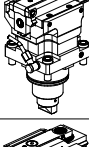
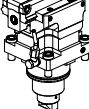
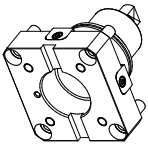
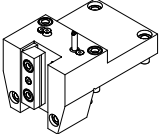
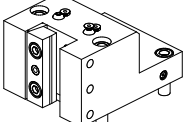
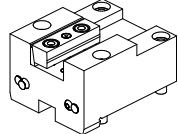
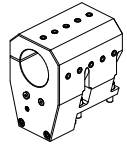
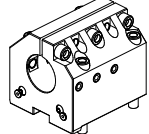
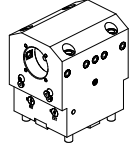
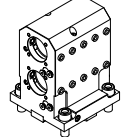
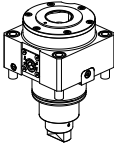

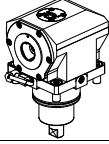
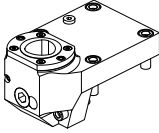
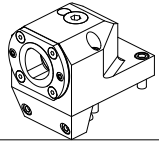
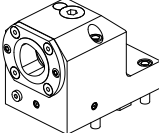
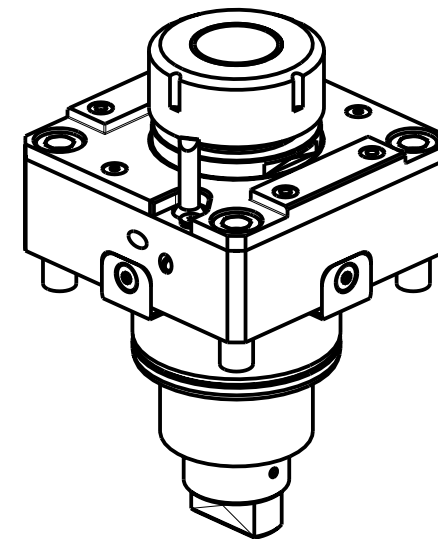
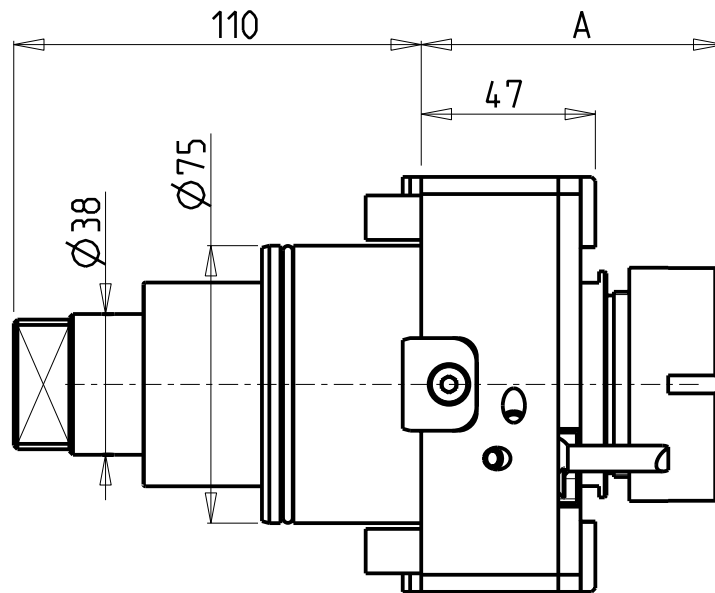
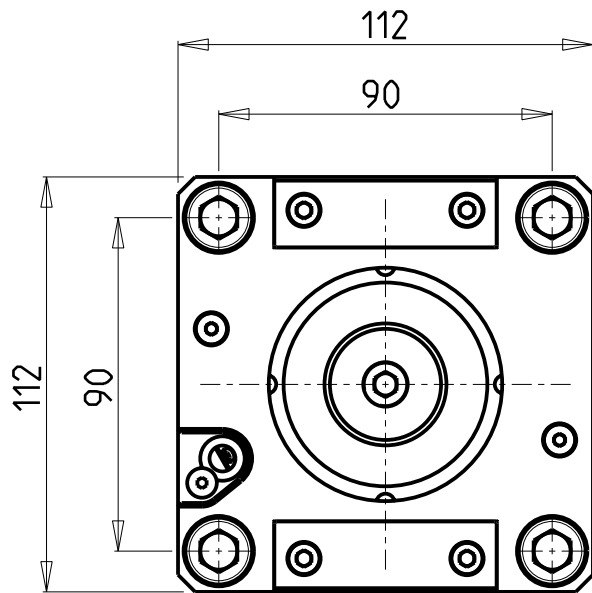


		PAGINA Page Seite
MODULO MOTORIZZATO RADIALE Radial driven tool Radial angetriebenes Werkzeug		DW 0010.4.00
MODULO MOTORIZZATO RADIALE MTSK Radial MTSK driven tool Radial MTSK angetriebenes Werkzeug		DW 0010.4.00.K
MODULO MOTORIZZATO RADIALE DISASSATO IN Z 100mm Radial driven tool re-directed in Z by 100mm Radial angetriebenes Werkzeug achsversetzt in Z um 100mm		DW 0030.4.10
MODULO MOTORIZZATO RADIALE RIDOTTO 1=2:1 DISASSATO IN Z 100mm Radial geared-down 1=2:1 driven tool re-directed in Z by 100mm Radial angetriebenes Werkzeug untersetzt 1=2:1 achsversetzt in Z um 100mm		DW 0030.4.20
MODULO MOTORIZZATO RADIALE DISASSATO IN Z 47.5mm Radial driven tool re-directed in Z by 47.5mm Radial angetriebenes Werkzeug achsversetzt in Z um 47.5mm		DW 0033.4.10
MODULO MOTOR. RADIALE MOLTIPLICATO 1=1:2 DISASSATO IN Z 47.5mm Radial geared-up 1=1:2 driven tool re-directed in Z by 47.5mm Radial angetriebenes Werkzeug uebersetzt 1=1:2 achsversetzt in Z um 47.5mm		DW 0033.4.30
MODULO MOTORIZZATO RADIALE MOLTIPLICATO 1=1:4 Radial geared-up 1=1:4 driven tool Radial angetriebenes Werkzeug uebersetzt 1=1:4		DW 0058.4.00
MODULO MOTORIZZATO RADIALE ROVESCIAATO DISASSATO IN Z 187.5 Radial inverted driven tool re-directed in Z by 187.5 mm Radial angetriebenes Werkzeug ungekehrt achsversetzt in Z um 187.5 mm		DW 0120.4.10
MODULO MOTORIZZATO RADIALE DISASSATO 50mm ORIENTABILE ±25° Radial ±25° adjustable angle driven tool re-directed by 50mm Radial angetriebenes Werkzeug schwenkbar ±25° achsversetzt um 50mm		DW 0135.4.00 
MODULO MOTORIZZATO ASSIALE H=60mm Axial driven tool H=60mm Axial angetriebenes Werkzeug H=60mm		DW 0150.4.10
MODULO MOTORIZZATO ASSIALE MAGGIORATO H=60mm Axial reinforced driven tool H=60mm Axial angetriebenes Werkzeug vergroesset H=60mm		DW 0170.4.10
MODULO MOTORIZZATO ASSIALE MAGGIORATO MTSK H=60mm Axial MTSK reinforced driven tool H=60mm Axial MTSK angetriebenes Werkzeug vergroesset H=60mm		DW 0170.4.10.K

		PAGINA Page Seite
<p>MODULO MOTORIZZATO ASSIALE MAGGIORATO H=90mm Axial reinforced driven tool H=90mm Axial angetriebenes Werkzeug vergrößert H=90mm</p>		DW 0170.4.20
<p>MODULO MOTORIZZATO ASSIALE MAGGIORATO MTSK H=90mm Axial MTSK reinforced driven tool H=90mm Axial MTSK angetriebenes Werkzeug vergrößert H=90mm</p>		DW 0170.4.20.K
<p>MODULO MOTORIZZATO ASSIALE MAGGIORATO H=110mm Axial reinforced driven tool H=110mm Axial angetriebenes Werkzeug vergrößert H=110mm</p>		DW 0170.4.30
<p>MODULO MOTORIZZATO ASSIALE MAGGIORATO MTSK H=110mm Axial MTSK reinforced driven tool H=110mm Axial MTSK angetriebenes Werkzeug vergrößert H=110mm</p>		DW 0170.4.30.K
<p>MODULO MOTORIZZATO ASSIALE RIDOTTO I=2:1 H=60mm Axial geared-down I=2:1 driven tool H=60mm Axial angetriebenes Werkzeug untersetzt I=2:1 H=60mm</p>		DW 0190.4.10
<p>MODULO MOTORIZZATO ASSIALE RIDOTTO I=2:1 H=90mm Axial geared-down I=2:1 driven tool H=90mm Axial angetriebenes Werkzeug untersetzt I=2:1 H=90mm</p>		DW 0190.4.20
<p>MODULO MOTORIZZATO ASSIALE MOLTIPLICATO I=1:3 Axial geared-up I=1:3 driven tool Axial angetriebenes Werkzeug uebersetzt I=1:3</p>		DW 0205.4.10
<p>MODULO MOTORIZZATO ORIENTABILE +/-90° +/-90° adjustable angle driven tool Angetriebenes Werkzeug schwenkbar +/-90°</p>		DW 0339.4.00
<p>MODULO MOTORIZZATO PORTACREATORE MAGGIORATO Reinforced driven gear hobber Angetriebenes Zahnradwaelzfraes-Werkzeug vergrößert</p>		DW 0340.4.60
<p>MODULO MOTORIZZATO PORTACREATORE (TAGLIA GRANDE) Driven gear hobber (big size) Angetriebenes Zahnradwaelzfraes-Werkzeug (grosse version)</p>		DW 0340.4.80
<p>MODULO MOTORIZZATO STOZZATORE CORSA 50mm H=90mm Slotting driven tool 50mm stroke H=90mm Keilnutenstossmaschine 50mm Hub H=90mm</p>		DW 0360.4.00
<p>MODULO MOTORIZZATO STOZZATORE CORSA 25mm H=90mm Slotting driven tool 25mm stroke H=90mm Keilnutenstossmaschine 25mm Hub H=90mm</p>		DW 0360.4.01

		PAGINA Page Seite
<p>INTERFACCIA PER MODULI BIGLIA Biglia tooling adapter cartridge Adapter-Patrone fuer Biglia Werkzeuge</p>		DW 0380.4.00
<p>PORTAUTENSILE RADIALE SINGOLO QD=25mm / QD=1" / QD=32mm / QD=1 1/4" Radial single static tool QD=25mm / QD=1" / QD=32mm / QD=1 1/4" Radial Single-Werkzeughalter QD=25mm / QD=1" / QD=32mm / QD=1 1/4"</p>		DW 0423.4.00
<p>PORTAUTENSILE RADIALE SINGOLO QD=25mm Radial single static tool QD=25mm Radial Single-Werkzeughalter QD=25mm</p>		DW 0423.4.01
<p>PORTAUTENSILE ASSIALE SINGOLO QD=25mm / QD=1" / QD=32mm / QD=1 1/4" Axial single static tool QD=25mm / QD=1" / QD=32mm / QD=1 1/4" Axial Single-Werkzeughalter QD=25mm / QD=1" / QD=32mm / QD=1 1/4"</p>		DW 0552.4.00
<p>PORTAUTENSILE ASSIALE PER BARENO Ø80mm H=110mm Axial single boring bar holder Ø80mm H=110mm Axial Bohrhalter Ø80mm H=110mm</p>		DW 0580.4.20
<p>PORTAUTENSILE ASSIALE PER BARENO Ø40mm/Ø1 1/2"/Ø50mm/Ø2" H=60mm Axial single boring bar holder Ø40mm/Ø1 1/2"/Ø50mm/Ø2" H=60mm Axial Bohrhalter Ø40mm/Ø1 1/2"/Ø50mm/Ø2" H=60mm</p>		DW 0610.4.20
<p>PORTAUTENSILE ASSIALE PER BARENO Ø50mm H=110mm Axial single boring bar holder Ø50mm H=110mm Axial Bohrhalter Ø50mm H=110mm</p>		DW 0620.4.10
<p>PORTAUTENSILE ASSIALE PER BARENO 2 POSIZIONI Ø40mm Axial double boring bar holder Ø40mm Axial Bohrhalter 2 Positionen Ø40mm</p>		DW 0870.4.00

		PAGINA Page Seite
MODULO MOTORIZZATO RADIALE MT CAPTO Radial driven tool MT CAPTO Radial angetriebenes Werkzeug MT CAPTO		DW 0010.D.50 
MODULO MOTORIZZATO ASSIALE MT CAPTO Axial driven tool MT CAPTO Axial angetriebenes Werkzeug MT CAPTO		DW 0150.D.40
PORTAUTENSILE RADIALE SINGOLO ARRETRATO MT CAPTO Radial single rear-set static tool MT CAPTO Radial Single-Werkzeughalter zurueckversetzt MT CAPTO		DW 0430.D.50
PORTAUTENSILE ASSIALE SINGOLO MT CAPTO Axial single static tool MT CAPTO Axial Single-Werkzeughalter MT CAPTO		DW 0550.D.60
PORTAUTENSILE ASSIALE SINGOLO MT CAPTO Axial single static tool MT CAPTO Axial Single-Werkzeughalter MT CAPTO		DW 0551.D.60



Cod. MT	Mandrino Spindel Spindel	I	RPM	Coppia Max Max Torque Max Drehmoment	Lubrificazione int. Coolant through Innenkuehlung	Lubrificazione est. Ext. coolant Aussenkuehlung	A	CHIAVI NON INCLUSE Keys not included Schlüssel nicht einbegriffen		
								CHSTER40	OKU0430007	
DW 01560140	ER40	1:1	6000	140Nm	-	X	81.7	CHSTER40	OKU0430007	-
DW 01560240	ER40	1:1	6000	140Nm	P=30bar	X	81.7	CHSTER40	OKU0430007	-
DW 01560332	ERA32	1:1	6000	140Nm	-	X	50	CHUB30	OKU0430007	CHTAER32ZC
DW 01560432	ERA32	1:1	6000	140Nm	P=30bar	X	50	CHUB30	OKU0430007	CHTAER32ZC

- Chiave inclusa
- Key included
- Schlüssel inbegriffen

DOOSAN BMT 75

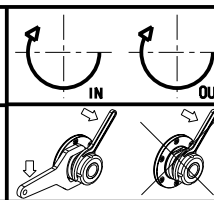
MOD: PUMA 400 - PUMA 480M/LM/XLM - PUMA 4100M - PUMA 5100M - V550M - VT 750M/TM - V8300M

MODULO MOTORIZZATO RADIALE

Radial driven tool

Radial angetriebenes Werkzeug

Subject to change without notice.



M.T. srl

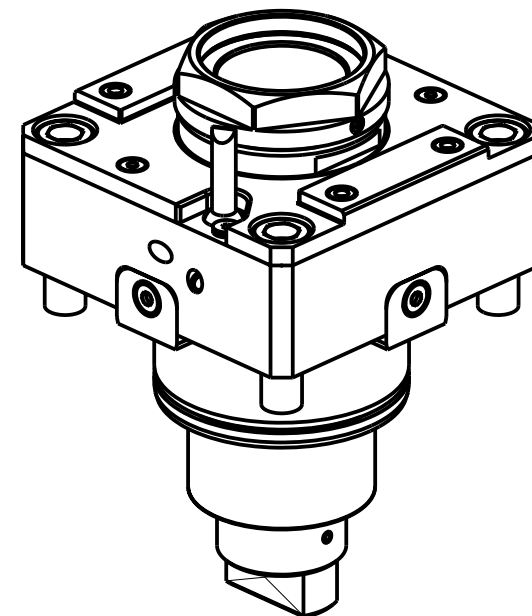
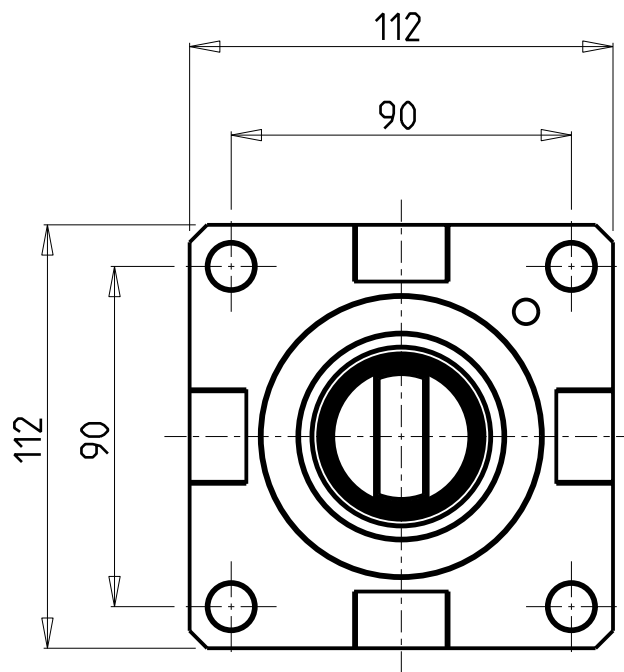
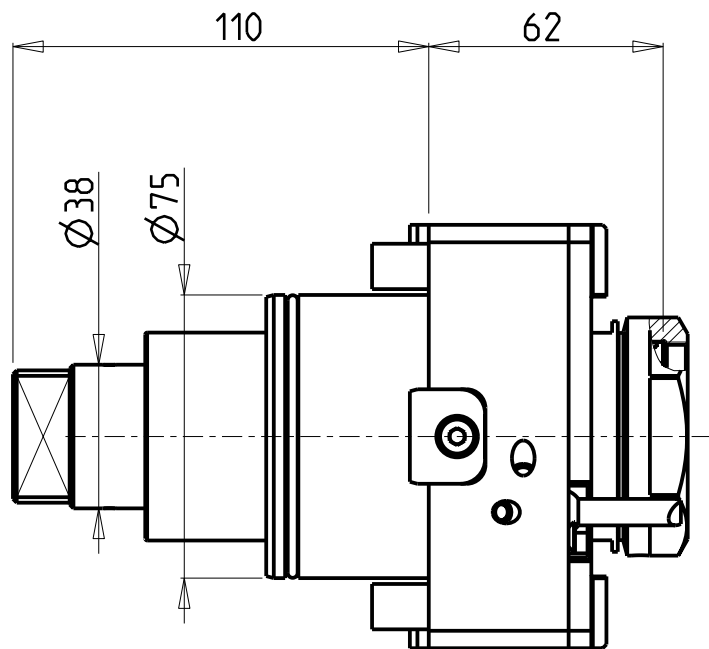
Via Casino Albini 480
Tel. 0541/956034-957884
Fax 0541/956341

47842 S. GIOVANNI IN M. (RN)
e-mail: mtma@mtmarchetti.com
http://www.mtmarchetti.com

PRODUZIONE MODULI ROTANTI



PAGINA DW0010-4-00



PER PORTAUTENSILI MODULARI MTSK-50 VEDI PAG. TBL300-1-50
 FOR MTSK-50 QUICK CHANGE TOOLHOLDERS CLAMPINGS SEE PAGE TBL300-1-50
 FUER MTSK-50 MODULARE WERKZEUGAUFNAHMEN SIEHE SEITE TBL300-1-50

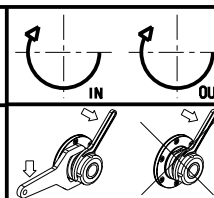
Cod. MT	Mandrino Spindle Spindel	I	RPM	Coppia Max Max Torque Max Drehmoment	Lubrificazione int. Coolant through Innenkuehlung	Lubrificazione est. Ext. coolant Aussenkuehlung	CHIAVI NON INCLUSE Keys not included Schlüssel nicht einbegriffen	
DW 02130150	MTSK-50	1:1	6000	140Nm	-	X	CHUB55	OKU0430007 ■
DW 02130250	MTSK-50	1:1	6000	140Nm	P=30bar	X	CHUB55	OKU0430007 ■

- Chiave inclusa
- Key included
- Schlüssel inbegriffen

DOOSAN BMT 75

MOD: PUMA 400 - PUMA 480M/LM/XLM - PUMA 4100M - PUMA 5100M - V550M - VT 750M/TM - V8300M

MODULO MOTORIZZATO RADIALE MTSK
 Radial MTSK driven tool
 Radial MTSK angetriebenes Werkzeug



M.T. srl
 Via Casino Albini 480
 Tel. 0541/956034-957884
 Fax 0541/956341
 47842 S. GIOVANNI IN M. (RN)
 e-mail: mtma@mtmarchetti.com
 http://www.mtmarchetti.com

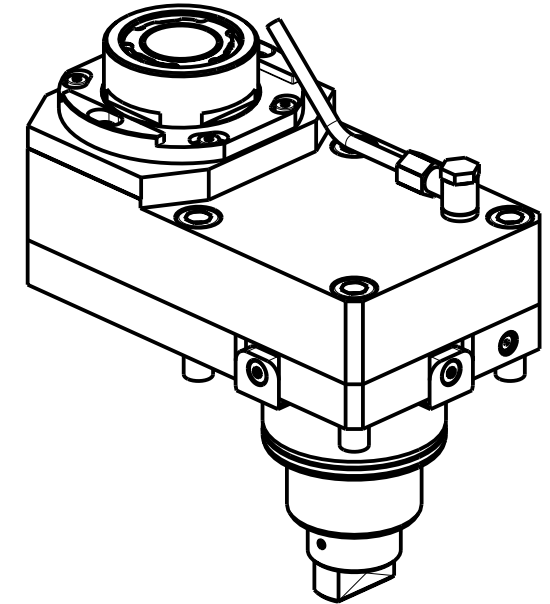
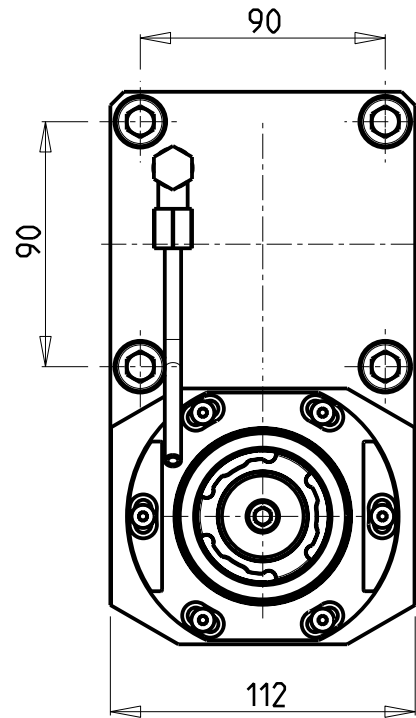
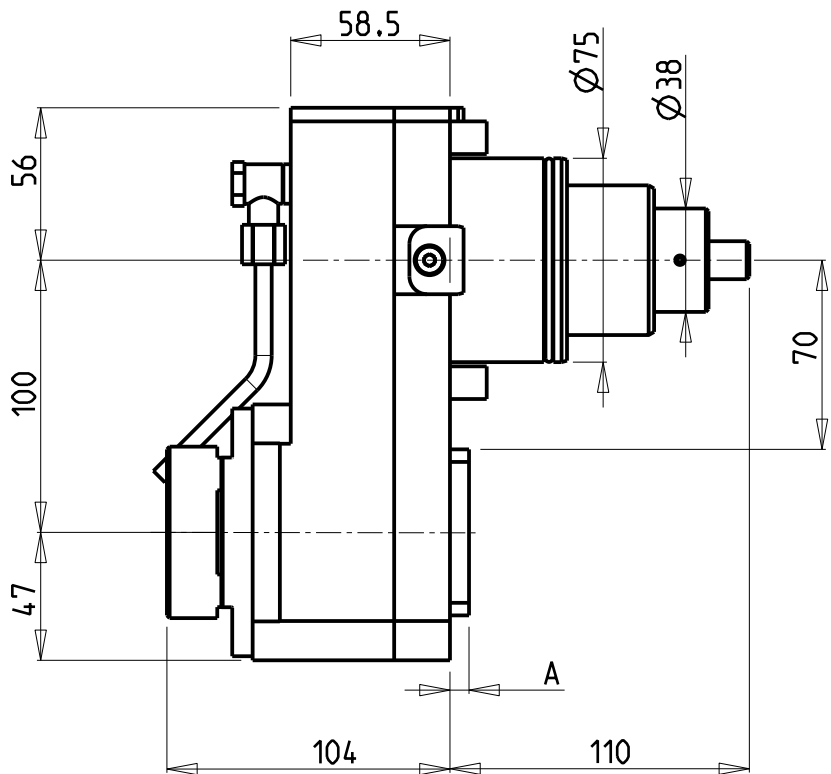
PRODUZIONE MODULI ROTANTI



PAGINA DW0010-4-00-K

Subject to change without notice.

04/2020



Cod. MT	Mandrino Spindle Spindel	I	RPM	Coppia Max Max Torque Max Drehmoment	Lubr.interna Coolant through Innenkuehlung	Lubr. esterna Ext. coolant Aussenkuehlung	A	CHIAVI NON INCLUSE Keys not included Schluessel nicht einbegriffen		
								C HUB36	OKU0430007	CHTAER40ZC
DW01991140	ERA40	1:1	6000	100Nm	-	X	7	C HUB36	OKU0430007	CHTAER40ZC
DW01992240	ERA40	1:1	6000	100Nm	P=70bar	X	18	C HUB36	OKU0430007	CHTAER40ZC

- Chiave inclusa
- Key included
- Schluessel inbegriffen

DOOSAN BMT 75

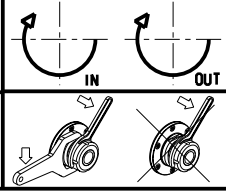
MOD: PUMA 400 - PUMA 480M/LM/XLM - PUMA 4100M - PUMA 5100M - V550M - VT 750M/TM - V8300M

MODULO MOTORIZZATO RADIALE DISASSATO IN Z 100mm

Radial driven tool re-directed in Z by 100mm

Radial angetriebenes Werkzeug achsversetzt in Z um 100mm

Subject to change without notice.



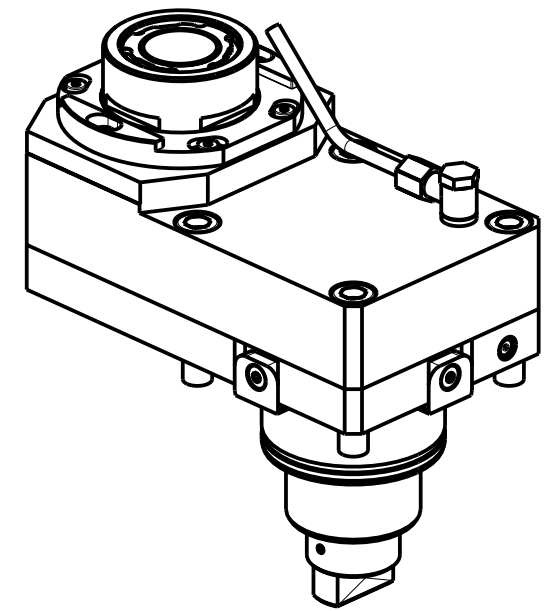
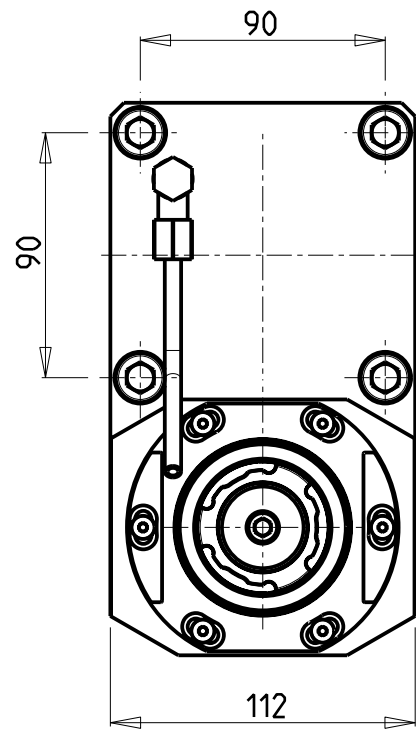
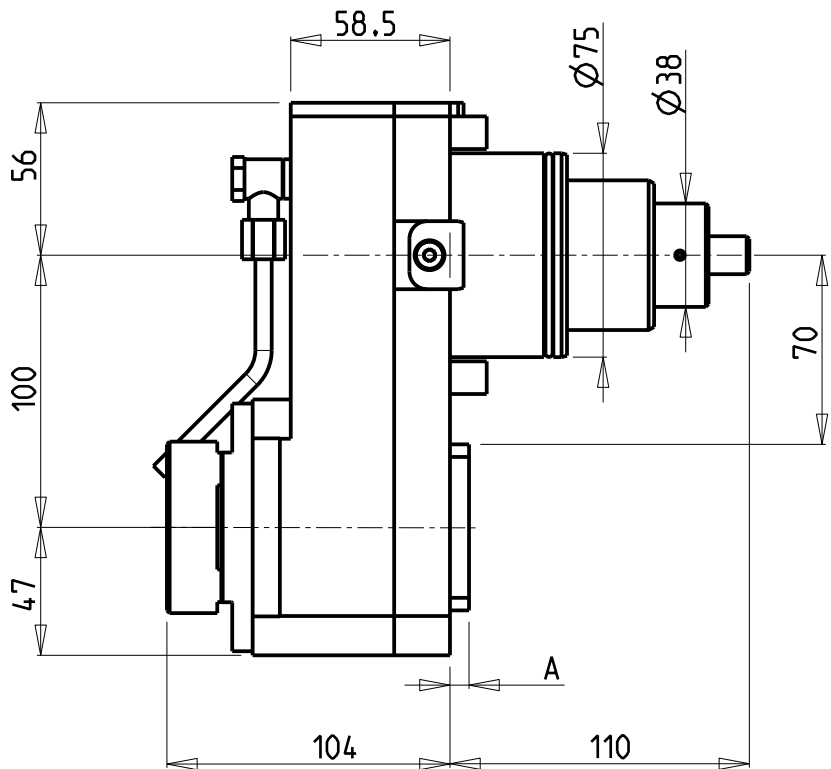
M.T. srl

Via Casino Albini 480
Tel. 0541/956034-957884
Fax 0541/956341
47842 S. GIOVANNI IN M. (RN)
e-mail: mtma@mtmarchetti.com
http://www.mtmarchetti.com

PRODUZIONE MODULI ROTANTI



PAGINA DW0030-4-10



Cod. MT	Mandrino Spindle Spindel	I	RPM	Coppia Max Max Torque Max Drehmoment	Lubr.interna Coolant through Innenkuehlung	Lubr. esterna Ext. coolant Aussenkuehlung	A	CHIAVI NON INCLUSE Keys not included Schluessel nicht einbegriffen		
								C HUB36	OKU04 30007	CHTAER40ZC
DW 01992140	ERA40	2:1	3000	160Nm	-	X	7	C HUB36	OKU04 30007	CHTAER40ZC
DW 01994240	ERA40	2:1	3000	160Nm	P=70bar	X	18	C HUB36	OKU04 30007	CHTAER40ZC

- Chiave inclusa
- Key included
- Schluessel inbegriffen

DOOSAN BMT 75

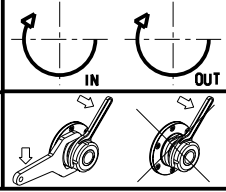
MOD: PUMA 400 - PUMA 480M/LM/XLM - PUMA 4100M - PUMA 5100M - V550M - VT 750M/TM - V8300M

MODULO MOTORIZZATO RADIALE RIDOTTO I=2:1 DISASSATO IN Z 100mm

Radial geared-down I=2:1 driven tool re-directed in Z by 100mm

Radial angetriebenes Werkzeug untersetzt I=2:1 achsversetzt in Z um 100mm

Subject to change without notice.

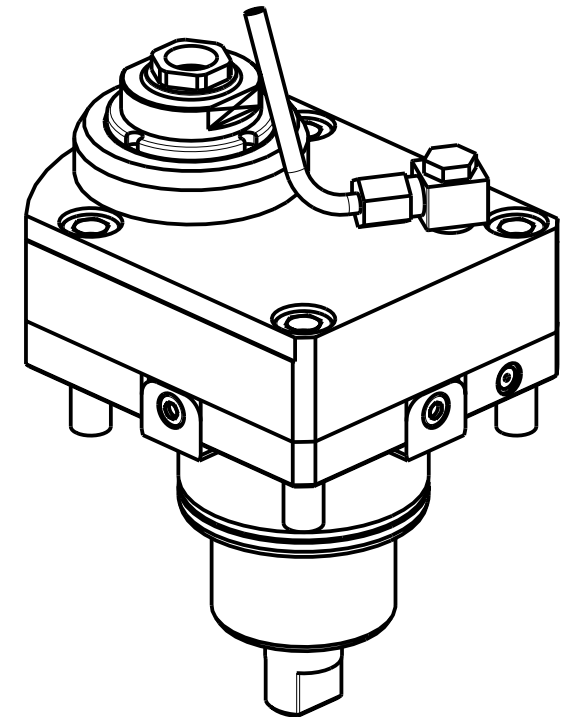
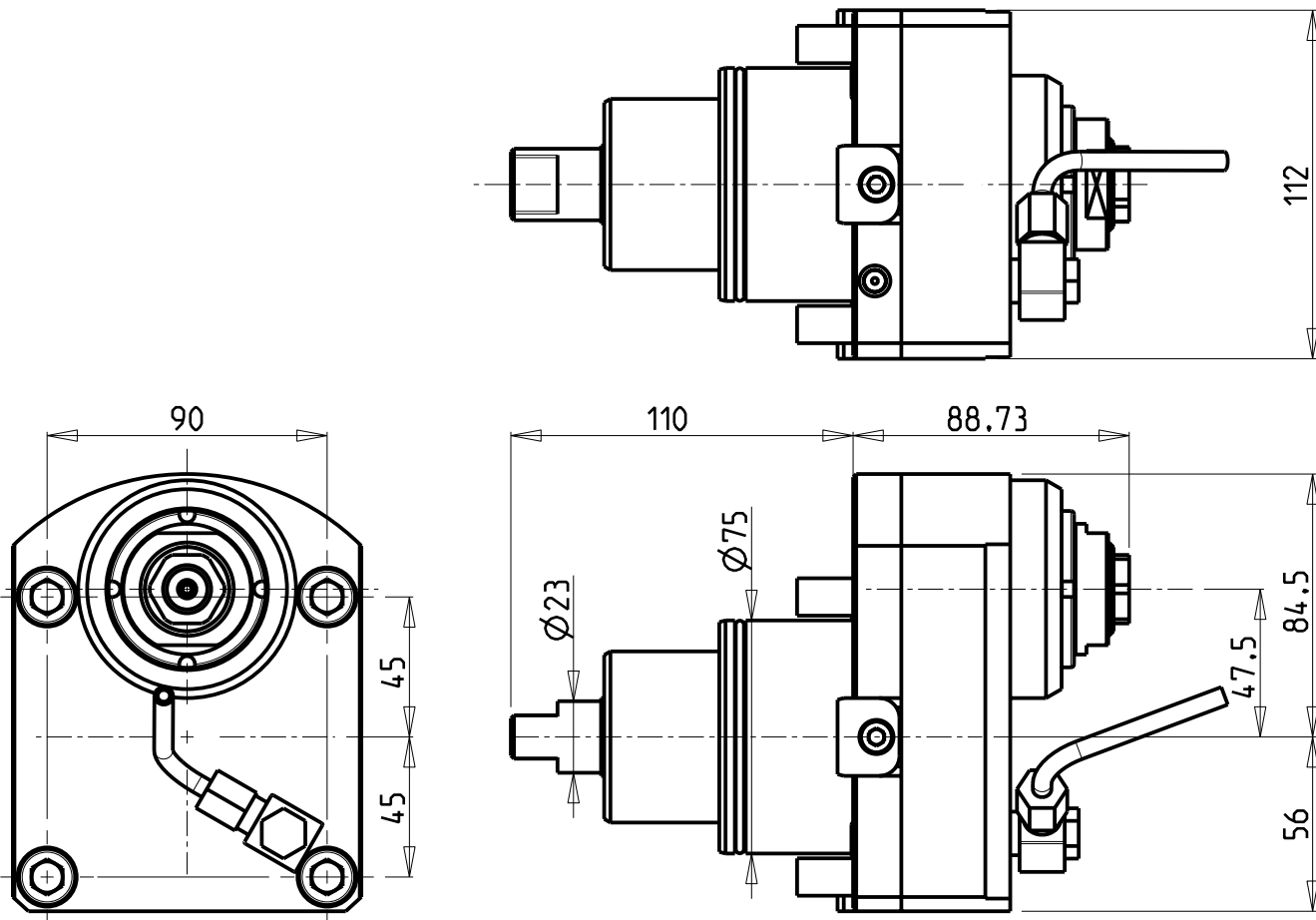


M.T. srl
 Via Casino Albini 480
 Tel. 0541/956034-957884
 Fax 0541/956341
 47842 S. GIOVANNI IN M. (RN)
 e-mail: mtma@mtmarchetti.com
 http://www.mtmarchetti.com

PRODUZIONE MODULI ROTANTI



PAGINA DW 0030-4-20



Cod. MT	Mandrino Spindle Spindel	I	RPM	Coppia Max Max Torque Max Drehmoment	Reversibile lato mandrino/contromandrino Reversible sub/main spindle side Umkehrbare Spindel-seite/ Gegenspindel-seite	Lubr. esterna Ext. coolant Aussenkuehlung	CHIAVI NON INCLUSE Keys not included Schluessel nicht einbegriffen
DW00430120	ERA20	1:1	6000	80Nm	X	X	CHUB36 CHUB22

DOOSAN BMT 75

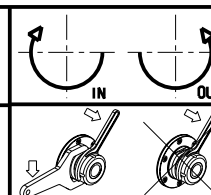
MOD: PUMA 400 - PUMA 480M/LM/XLM - PUMA 4100M - PUMA 5100M - V550M - VT 750M/TM - V8300M

MODULO MOTORIZZATO RADIALE DISASSATO IN Z 47.5mm

Radial driven tool re-directed in Z by 47.5mm

Radial angetriebenes Werkzeug achsversetzt in Z um 47.5mm

Subject to change without notice.



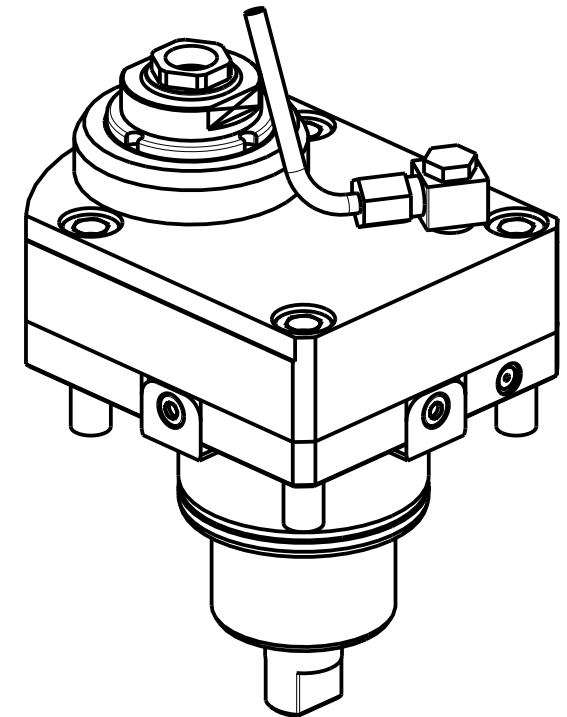
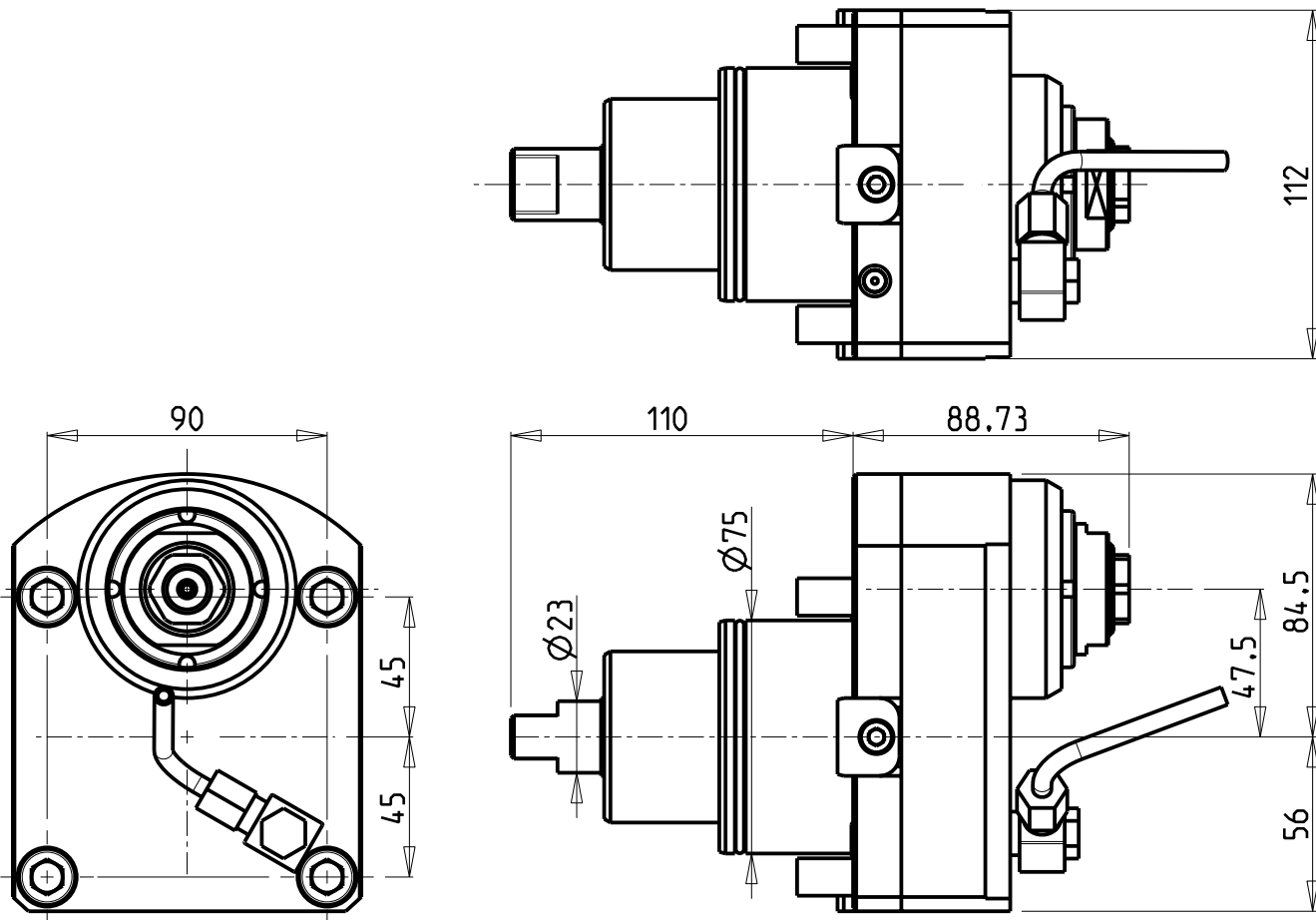
M.T. srl

Via Casino Albini 480
Tel. 0541/956034-957884
Fax 0541/956341
47842 S. GIOVANNI IN M. (RN)
e-mail: mtma@mtmarchetti.com
<http://www.mtmarchetti.com>

PRODUZIONE MODULI ROTANTI



PAGINA DW0033-4-10



Cod. MT	Mandrino Spindle Spindel	i	RPM	Coppia Max Max Torque Max Drehmoment	Reversibile lato mandrino/contromandrino Reversible sub/main spindle side Umkehrbare Spindel-seite/ Gegenspindel-seite	Lubr. esterna Ext. coolant Aussenkuehlung	CHIAVI NON INCLUSE Keys not included Schluessel nicht einbegriffen	
DW 00430220	ERA20	1:2	12000	50Nm	X	X	CHUB36	CHUB22

DOOSAN BMT 75

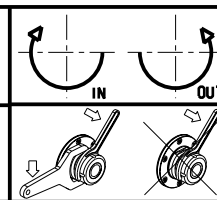
MOD: PUMA 400 - PUMA 480M/LM/XLM - PUMA 4100M - PUMA 5100M - V550M - VT 750M/TM - V8300M

MODULO MOTOR. RADIALE MOLTIPLICATO I=1:2 DISASSATO IN Z 47.5mm

Radial geared-up I=1:2 driven tool re-directed in Z by 47.5mm

Radial angetriebenes Werkzeug uebersetzt I=1:2 achsversetzt in Z um 47.5mm

Subject to change without notice.

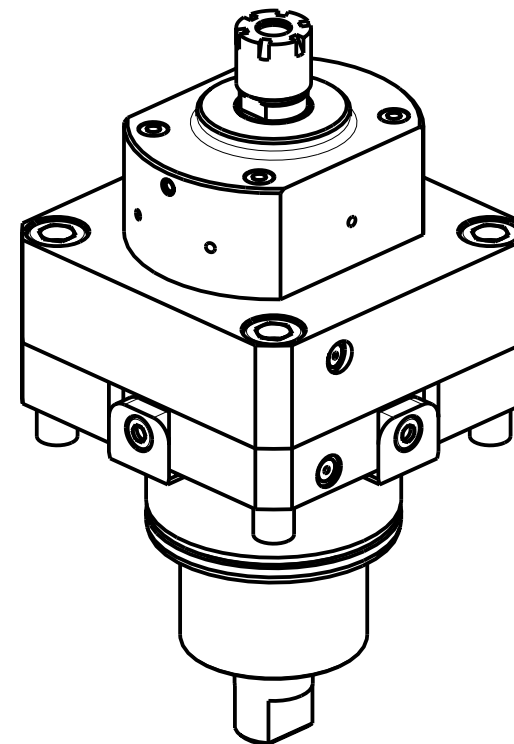
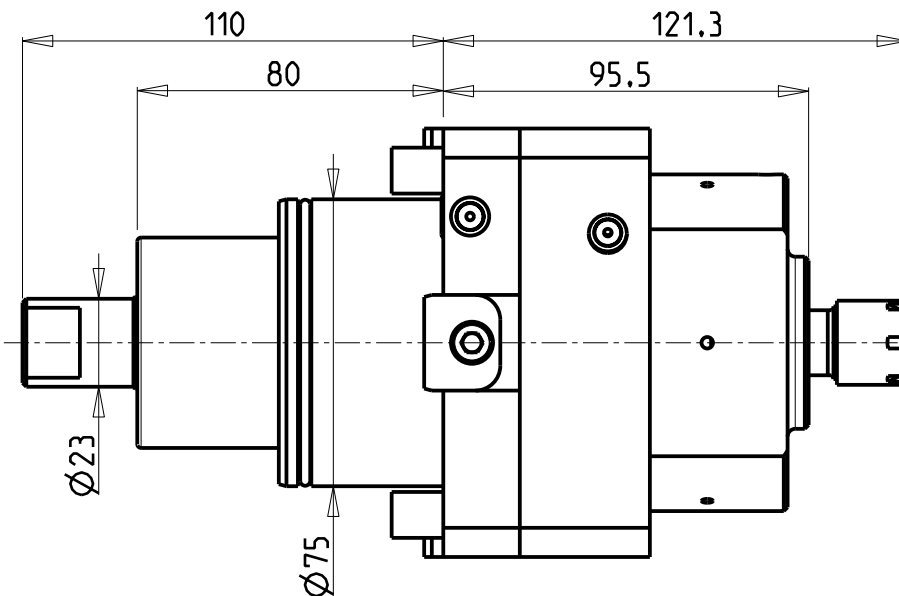
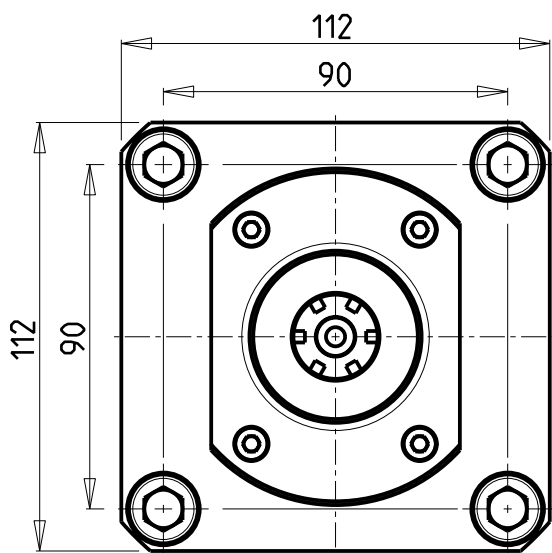


M.T. srl
Via Casino Albini 480
Tel. 0541/956034-957884
Fax 0541/956341
47842 S. GIOVANNI IN M. (RN)
e-mail: mtma@mtmarchetti.com
http://www.mtmarchetti.com

PRODUZIONE MODULI ROTANTI



PAGINA DW0033-4-30



ATTENZIONE - ATTENTION - ACHTUNG

- PRIMA DI UTILIZZARE IL MOTORIZZATO CONSULTARE LE ISTRUZIONI ALLEGATE!
- BEFORE USING THE DRIVEN TOOL, PLEASE CHECK THE ENCLOSED INSTRUCTION SHEET!
- VOR DER BENUTZUNG DES ANGETRIEBENEN WERKZEUGES, DIE BEILIEGENDEN INSTRUKTIONEN DURCHLESEN!

ATTENZIONE - ATTENTION - ACHTUNG

- Per lo smontaggio degli utensili utilizzare sempre la chiave di contrasto come indicato nel manuale d'uso.
- For disassembly of the tools use always the contrast key as mentioned in the user instructions.
- Fuer das Abmontieren der Werkzeuge immer den Gegenschlüssel benutzen wie in der Bedienungsanleitung erwäehnt.

Cod. MT	Mandrino Spindle Spindel	I	RPM	Coppia Max Max Torque Max Drehmoment	Lubrificazione int. Coolant through Innenkuehlung	CHIAVI INCLUSE Keys included Schluessel einbegriffen	
DW 00450116	ER16	1:4	16000	15Nm	P=30bar	CHMNER16	CHUB17

DOOSAN BMT 75

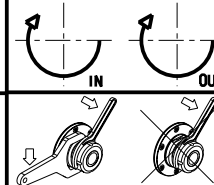
MOD: PUMA 400 - PUMA 480M/LM/XLM - PUMA 4100M - PUMA 5100M - V550M - VT 750M/TM - V8300M

MODULO MOTORIZZATO RADIALE MOLTIPLICATO I=1:4

Radial geared-up I=1:4 driven tool

Radial angetriebenes Werkzeug uebersetzt I=1:4

Subject to change without notice.



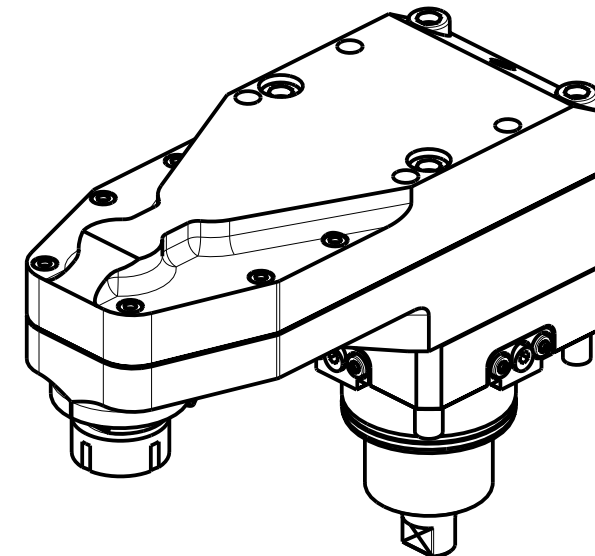
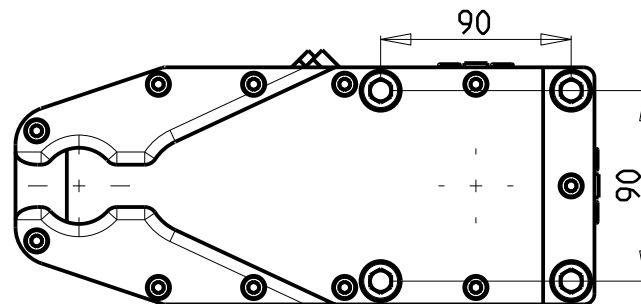
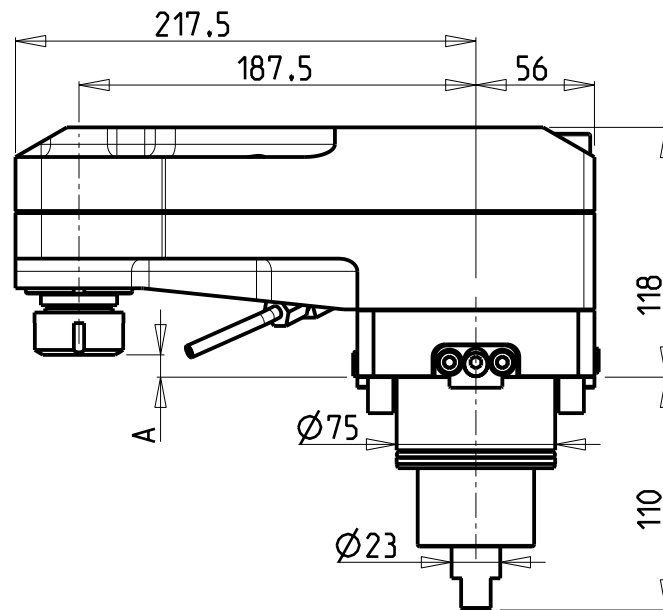
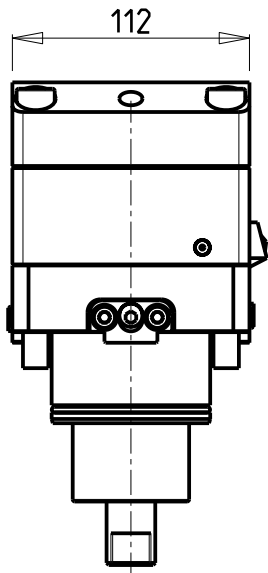
M.T. srl

Via Casino Albini 480
Tel. 0541/956034-957884
Fax 0541/956341
47842 S. GIOVANNI IN M. (RN)
e-mail: mtma@mtmarchetti.com
http://www.mtmarchetti.com

PRODUZIONE MODULI ROTANTI



PAGINA DW 0058-4-00



Cod. MT	Mandrino Spindle Spindel	I	RPM MAX	Coppia Max Max Torque Max Drehmoment	Lubrificazione est. Ext. coolant Aussenkuehlung	A	CHIAVI NON INCLUSE Keys not included Schlüssel nicht einbegriffen	
0841225	ER25	1:2	8000	40Nm	X	8.84	CHSTER25	CHUB36
0841232	ER32	1:2	8000	40Nm	X	3.66	CHSTER32	CHUB36

DOOSAN BMT 75

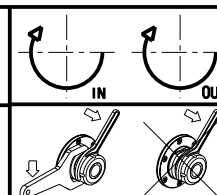
MOD: PUMA 400 - PUMA 480M/LM/XLM - PUMA 4100M - PUMA 5100M - V550M - V8300M

MODULO MOTORIZZATO RADIALE ROVESCiato DISASSATO IN Z 187.5mm

Radial inverted driven tool re-directed in Z by 187.5 mm

Radial angetriebenes Werkzeug ungekehrt achsversetzt in Z um 187.5 mm

Subject to change without notice.

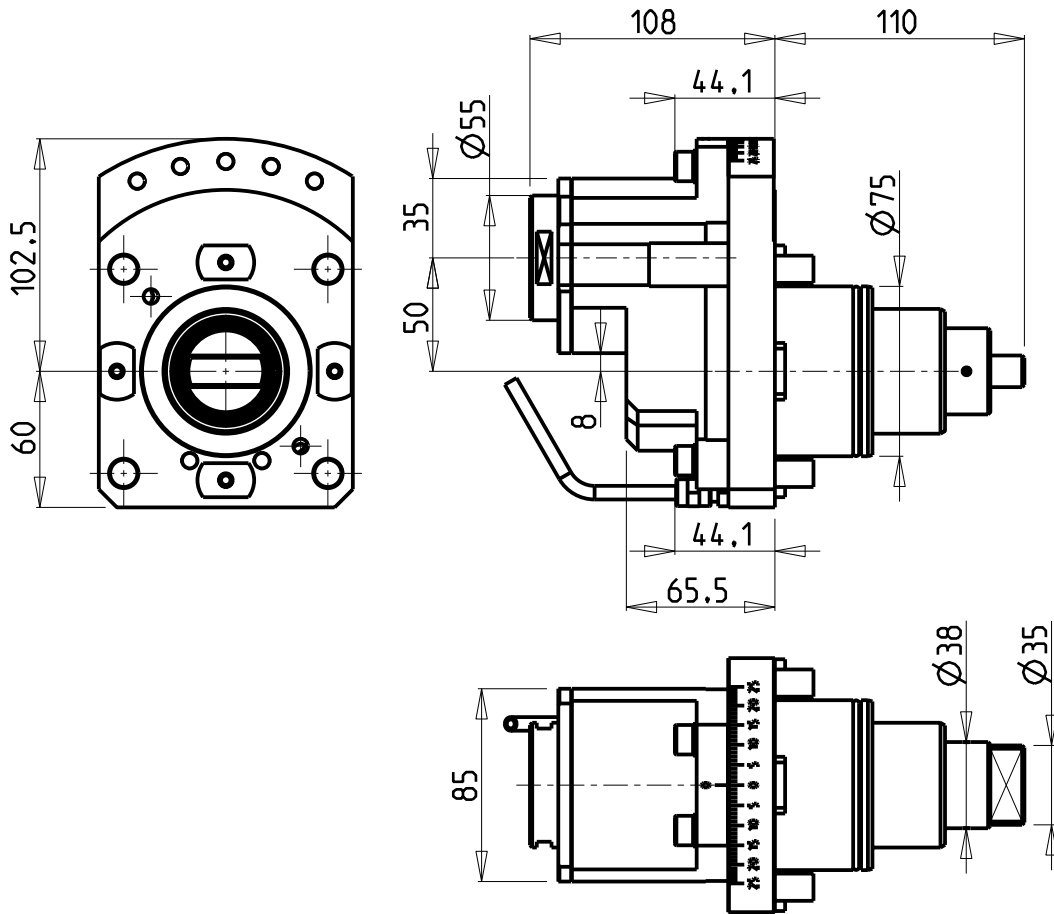


M.T. srl
Via Casino Albini 480
Tel. 0541/956034-957884
Fax 0541/956341
47842 S. GIOVANNI IN M. (RN)
e-mail: mtma@mtmarchetti.com
http://www.mtmarchetti.com

PRODUZIONE MODULI ROTANTI

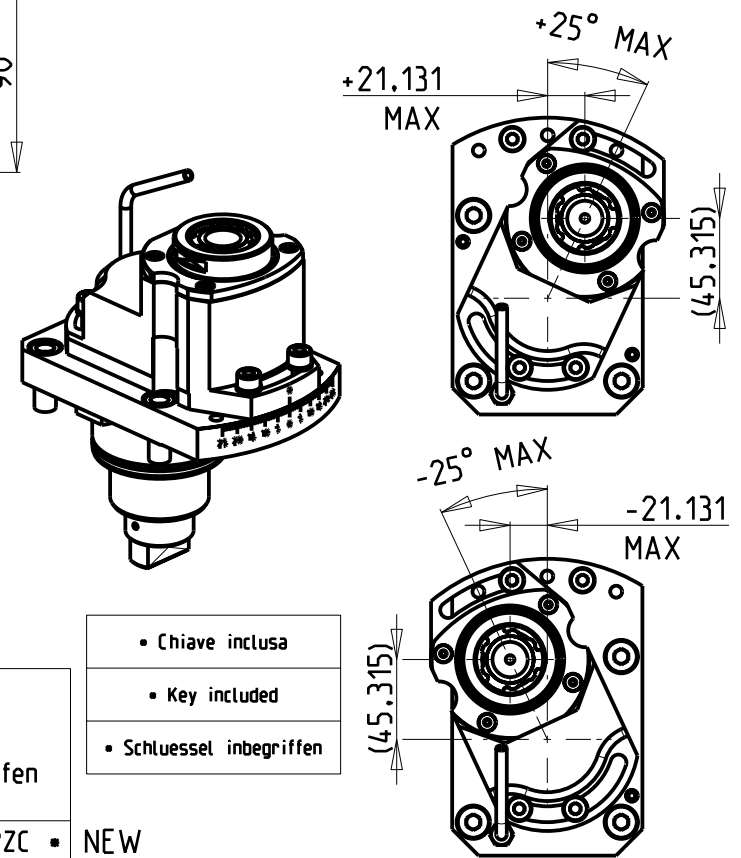


PAGINA DW0120-4-10



ATTENZIONE - ATTENTION - ACHTUNG

- Per lo smontaggio degli utensili utilizzare sempre la chiave di contrasto come indicato nel manuale d'uso.
- For disassembly of the tools use always the contrast key as mentioned in the user instructions.
- Fuer das Abmontieren der Werkzeuge immer den Gegenschlüssel benutzen wie in der Bedienungsanleitung erwaeht.



- Chiave inclusa
- Key included
- Schlüssel inbegriffen

Cod. MT	Mandrino Spindle Spindel	I	RPM	Coppia Max Max Torque Max Drehmoment	Reversibile lato mandrino/contromandrino Reversible sub/main spindle side Umkehrbare Spindel-seite/ Gegenspindel-seite	Lubrificazione est. Ext. coolant Aussenkuehlung	CHIAVI NON INCLUSE Keys not included Schlüssel nicht einbegriffen			
DW 02980332	ERA32	1:1	6000	100Nm	X	X	CHUB30	CHUB50	CHTAER32ZC	NEW

DOOSAN BMT 75

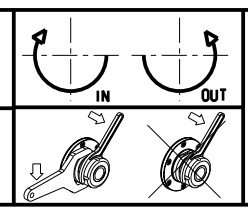
MOD: PUMA 400 - PUMA 480M/LM/XLM - PUMA 4100M - PUMA 5100M - V550M - VT 750M/TM - V8300M

MODULO MOTORIZZATO RADIALE DISASSATO 50mm ORIENTABILE ±25°


Radial ±25° adjustable angle driven tool re-directed by 50mm

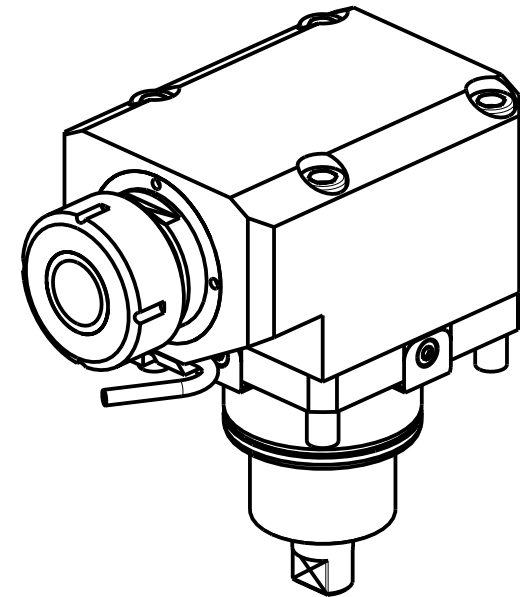
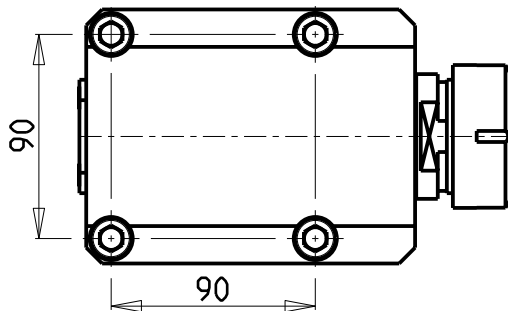
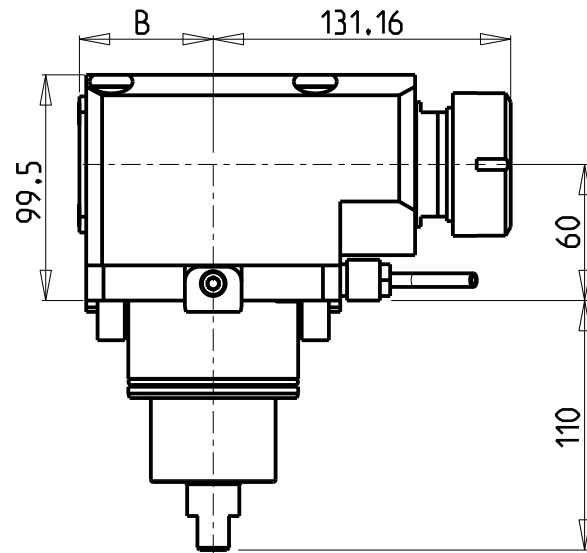
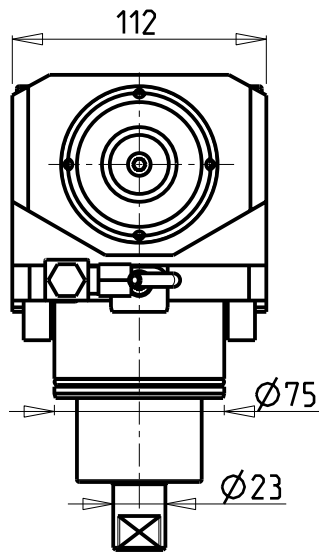
Radial angetriebenes Werkzeug schwenkbar ±25° achsversetzt um 50mm

Subject to change without notice.



M.T. srl
 Via Casino Albini 480
 Tel. 0541/956034-957884
 Fax 0541/956341
 47842 S. GIOVANNI IN M. (RN)
 e-mail: mtma@mtmarchetti.com
 http://www.mtmarchetti.com

PRODUZIONE MODULI ROTANTI

 PAGINA DW0135-4-00



Cod. MT	Cod. EPPINGER	Mandrino Spindle Spindel	I	RPM	Coppia Max Max Torque Max Drehmoment	Lubrificazione int. Coolant through Innenkuehlung	Lubrificazione est. Ext. coolant Aussenkuehlung	B	CHIAVI NON INCLUSE Keys not included Schlüssel nicht einbegriffen	
									CHSTER40	CHUB46
0330840	7.070.935	ER40	1:1	6000	100Nm		X	59	CHSTER40	CHUB46
0331040	-	ER40	1:1	6000	100Nm	P=70bar	X	70	CHSTER40	CHUB46

DOOSAN BMT 75

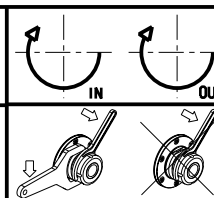
MOD: PUMA 400 - PUMA 480M/LM/XLM - PUMA 4100M - PUMA 5100M - V550M - V8300M

MODULO MOTORIZZATO ASSIALE H=60mm

Axial driven tool H=60mm

Axial angetriebenes Werkzeug H=60mm

Subject to change without notice.



M.T. srl

Via Casino Albini 480

Tel. 0541/956034-957884

Fax 0541/956341

47842 S. GIOVANNI IN M. (RN)

e-mail: mtma@mtmarchetti.com

http://www.mtmarchetti.com

PRODUZIONE MODULI ROTANTI

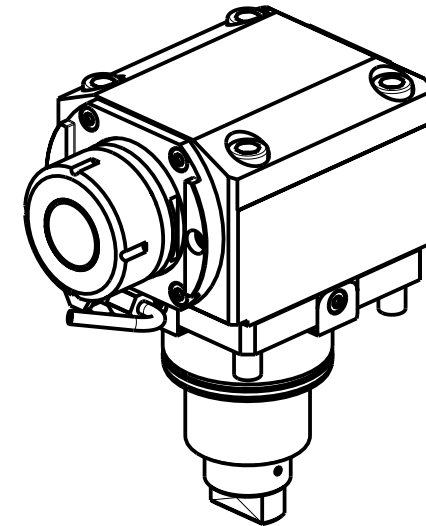
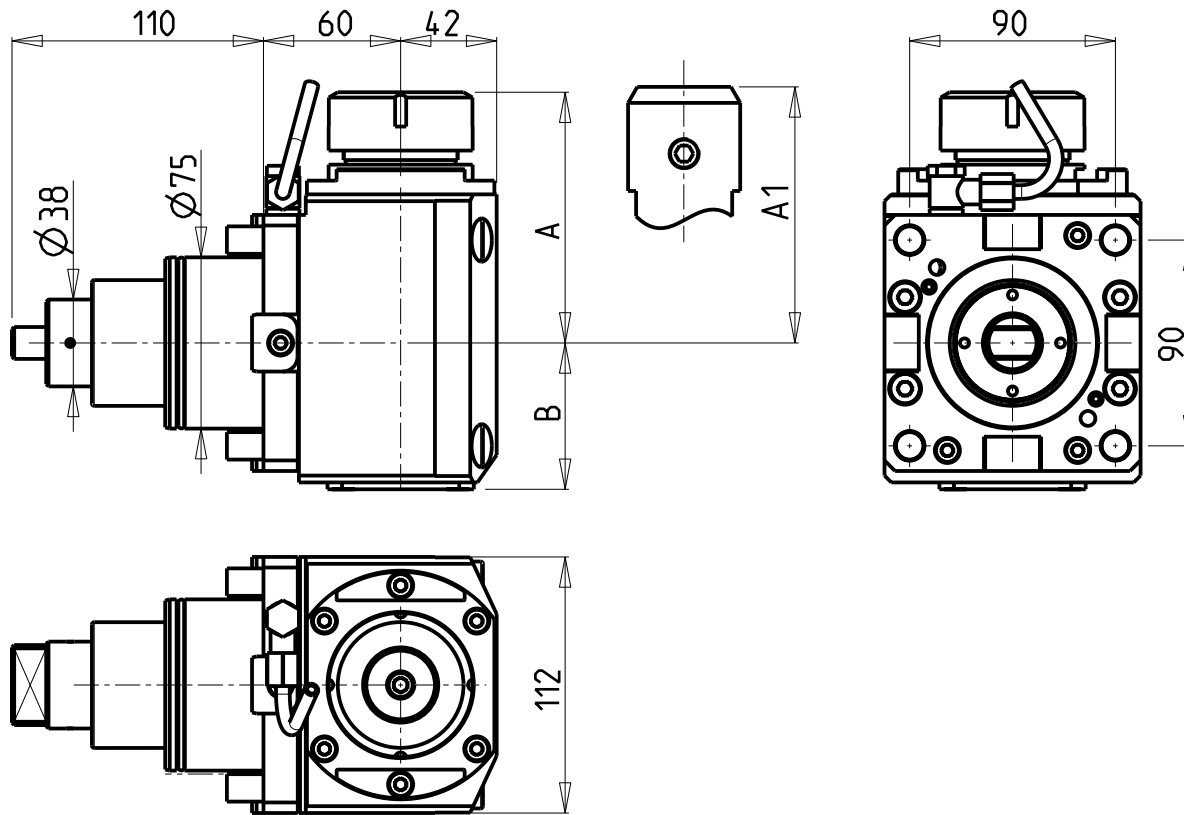


PAGINA DW0150-4-10

CUSCINETTI MAGGIORATI PER LAVORAZIONI PESANTI

Reinforced bearings for
heavy machining

Vergroesserte Lager fuer
schwerere Bearbeitungen



Cod. MT	Mandrino Spindel Spindel	I	RPM	Coppia Max Max Torque Max Drehmoment	Lubrificazione int. Coolant through Innenkuehlung	Lubrificazione est. Ext. coolant Aussenkuehlung	A	A1	B	CHIAVI NON INCLUSE Keys not included Schlüssel nicht einbegriffen	
										CHSTER40	OKU0430007
DW 00680140	ER40	1:1	6000	140Nm	-	X	109.7	-	64	CHSTER40	OKU0430007
DW 00680240	ER40	1:1	6000	140Nm	P=70bar	X	109.7	-	76.5	CHSTER40	OKU0430007
DW 00680725	WELDON 25	1:1	6000	140Nm	-	X	-	109.5	64	-	-
DW 00680825	WELDON 25	1:1	6000	140Nm	P=70bar	X	-	109.5	76.5	-	-

• Chiave inclusa

• Key included

• Schlüssel inbegriffen

DOOSAN BMT 75

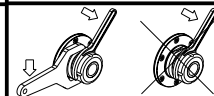
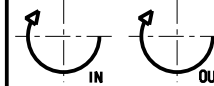
MOD: PUMA 400 - PUMA 480M/LM/XLM - PUMA 4100M - PUMA 5100M - V550M - V8300M

MODULO MOTORIZZATO ASSIALE MAGGIORATO H=60mm

Axial reinforced driven tool H=60mm

Axial angetriebenes Werkzeug vergroessert H=60mm

Subject to change without notice.



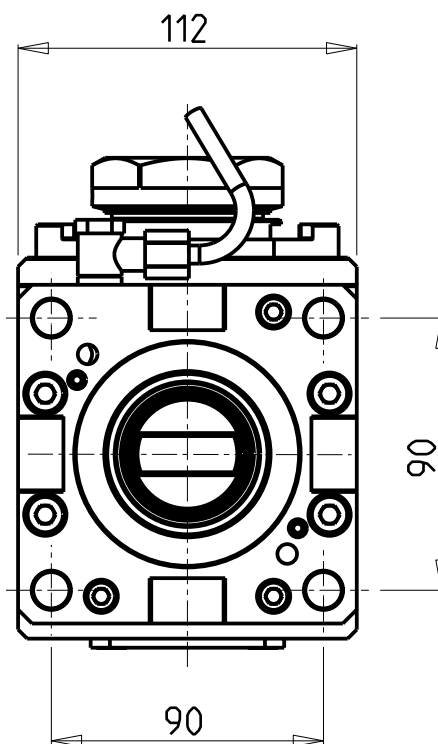
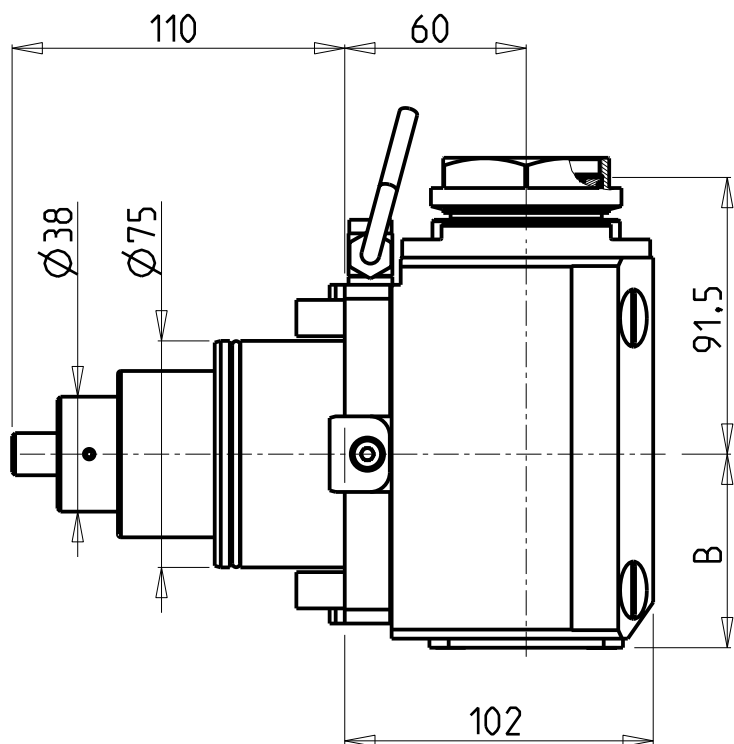
M.T. srl

Via Casino Albini 480
Tel. 0541/956034-957884
Fax 0541/956341
47842 S. GIOVANNI IN M. (RN)
e-mail: mtma@mtmarchetti.com
http://www.mtmarchetti.com

PRODUZIONE MODULI ROTANTI



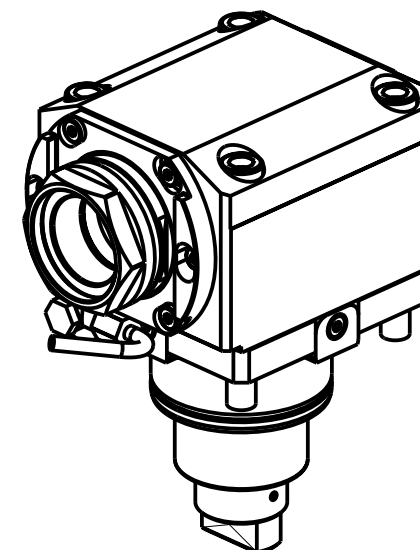
PAGINA DW0170-4-10



CUSCINETTI MAGGIORATI PER LAVORAZIONI PESANTI

Reinforced bearings for
heavy machining

Vergroesserte Lager fuer
schwerere Bearbeitungen



• Chiave inclusa

• Key included

• Schluessel inbegriffen

PER PORTAUTENSILI MODULARI MTSK-50 VEDI PAG. TBL300-1-50
FOR MTSK-50 QUICK CHANGE TOOLHOLDERS CLAMPINGS SEE PAGE TBL300-1-50
FUER MTSK-50 MODULARE WERKZEUGAUFNAHMEN SIEHE SEITE TBL300-1-50

Cod. MT	Mandrino Spindel Spindel	I	RPM	Coppia Max Max Torque Max Drehmoment	Reversibile lato mandrino/contromandrino Reversible sub/main spindle side Umkehrbare Spindel-seite/Gegenspindel-seite	Lubr.interna Coolant through Innenkuehlung	Lubr.esterna Ext. coolant Aussenkuehlung	B	CHIAVI NON INCLUSE Keys not included Schluessel nicht einbegriffen	
DW 02140150	MTSK-50	1:1	6000	140Nm	X	-	X	64	CHUB55	OKU0430007 ▪
DW 02140250	MTSK-50	1:1	6000	140Nm	X	P=70bar	X	76.5	CHUB55	OKU0430007 ▪

DOOSAN BMT 75

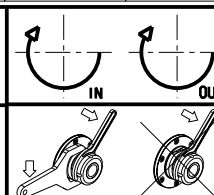
MOD: PUMA 400 - PUMA 480M/LM/XLM - PUMA 4100M - PUMA 5100M - V550M - V8300M

MODULO MOTORIZZATO ASSIALE MAGGIORATO MTSK H=60mm

Axial MTSK reinforced driven tool H=60mm

Axial MTSK angetriebenes Werkzeug vergroessert H=60mm

Subject to change without notice.



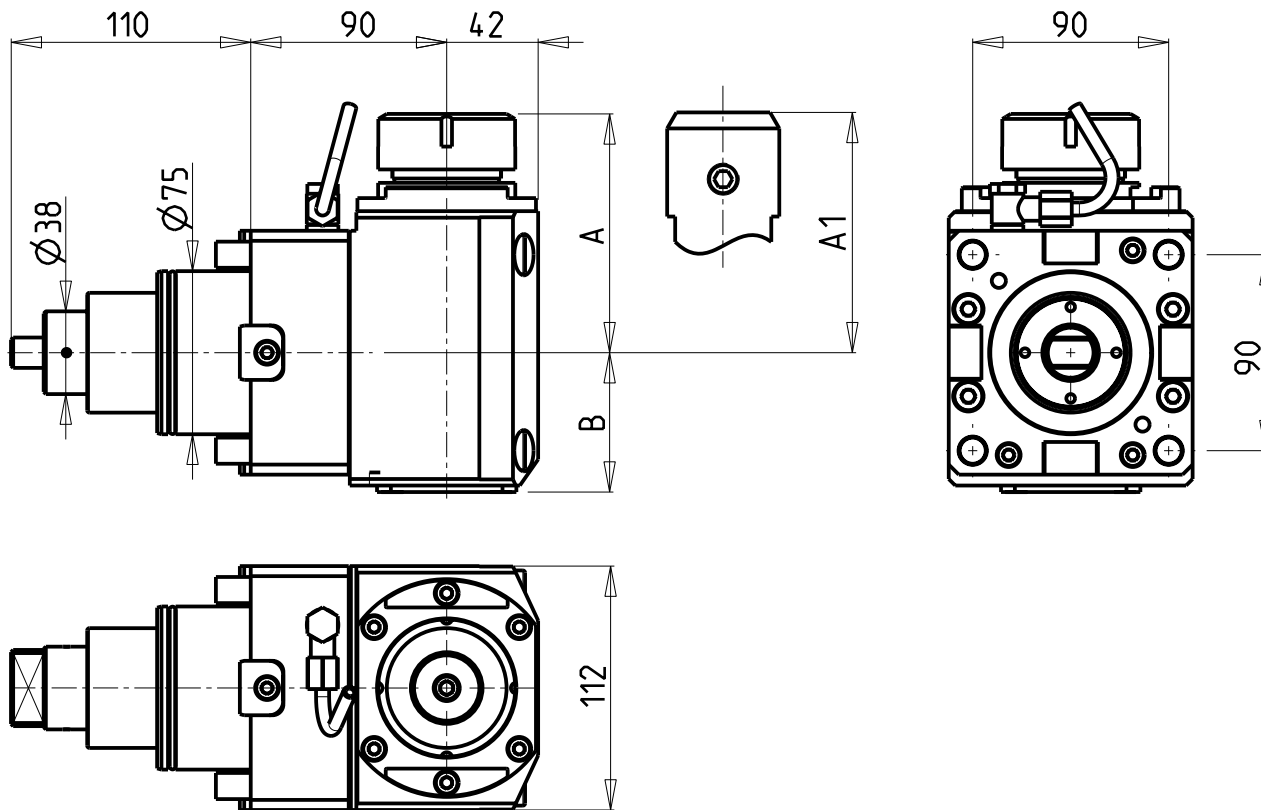
M.T. srl

Via Casino Albini 480
Tel. 0541/956034-957884
Fax 0541/956341
47842 S. GIOVANNI IN M. (RN)
e-mail: mtma@mtmarchetti.com
http://www.mtmarchetti.com

PRODUZIONE MODULI ROTANTI



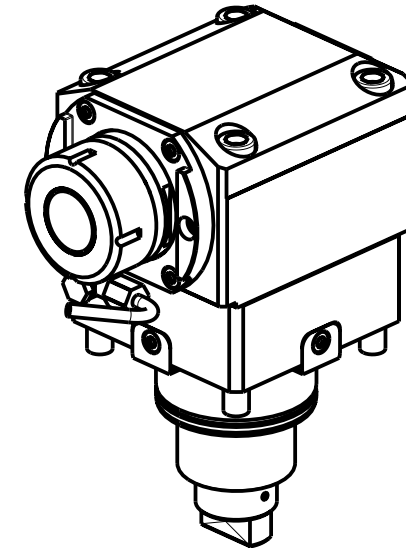
PAGINA DW0170-4-10-K



CUSCINETTI MAGGIORATI PER LAVORAZIONI PESANTI

Reinforced bearings for
heavy machining

Vergroesserte Lager fuer
schwerere Bearbeitungen



- Chiave inclusa
- Key included
- Schluessel inbegriffen

Cod. MT	Mandrino Spindle Spindel	I	RPM	Coppia Max Max Torque Max Drehmoment	Lubrificazione int. Coolant through Innenkuehlung	Lubrificazione est. Ext. coolant Aussenkuehlung	A	A1	B	CHIAVI NON INCLUSE Keys not included Schluessel nicht einbegriffen	
										CHSTER40	OKU0430007
DW 00650140	ER40	1:1	6000	140Nm	-	X	109.7	-	64	CHSTER40	OKU0430007
DW 00650240	ER40	1:1	6000	140Nm	P=70bar	X	109.7	-	76.5	CHSTER40	OKU0430007
DW 00650725	WELDON 25	1:1	6000	140Nm	-	X	-	109.5	64	-	-
DW 00650825	WELDON 25	1:1	6000	140Nm	P=70bar	X	-	109.5	76.5	-	-

DOOSAN BMT 75

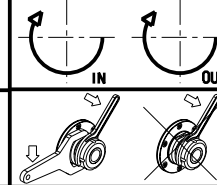
MOD: PUMA 400 - PUMA 480M/LM/XLM - PUMA 4100M - PUMA 5100M - V550M - VT 750M/TM - V8300M

MODULO MOTORIZZATO ASSIALE MAGGIORATO H=90mm

Axial reinforced driven tool H=90mm

Axial angetriebenes Werkzeug vergroessert H=90mm

Subject to change without notice.



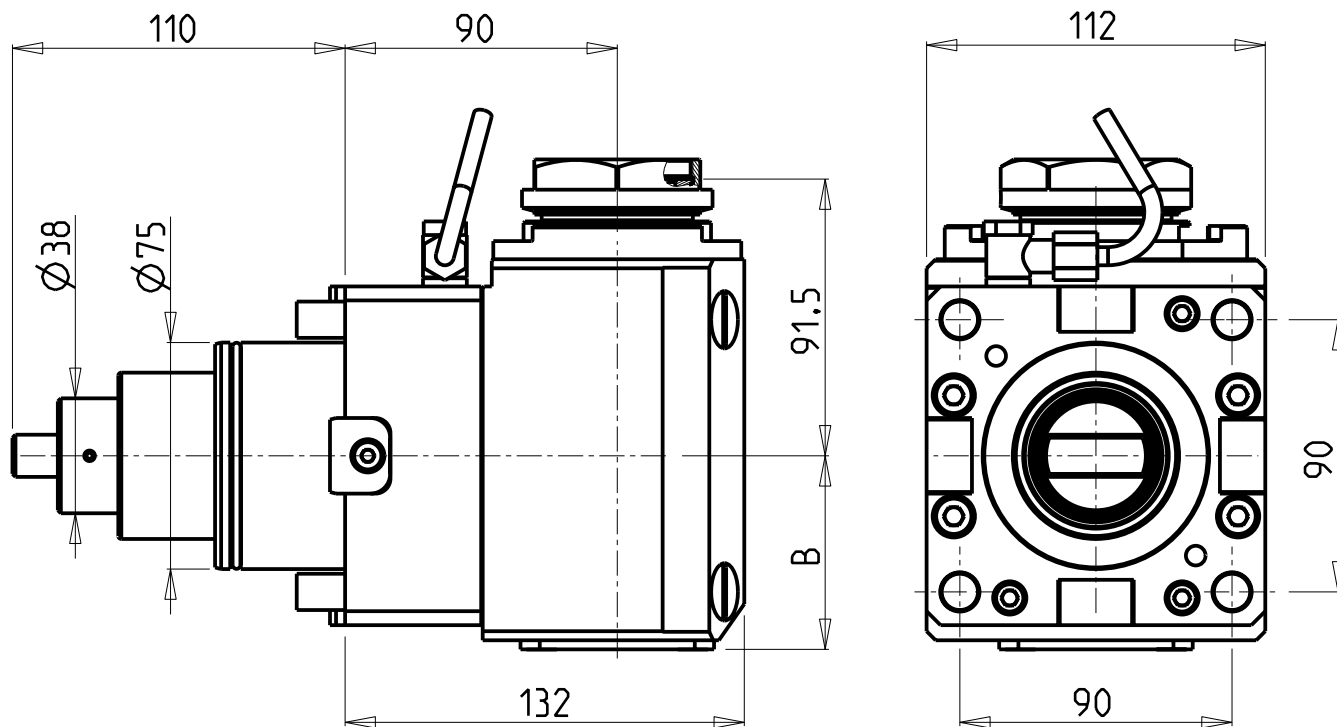
M.T. srl

Via Casino Albini 480
Tel. 0541/956034-957884
Fax 0541/956341
47842 S. GIOVANNI IN M. (RN)
e-mail: mtma@mtmarchetti.com
http://www.mtmarchetti.com

PRODUZIONE MODULI ROTANTI



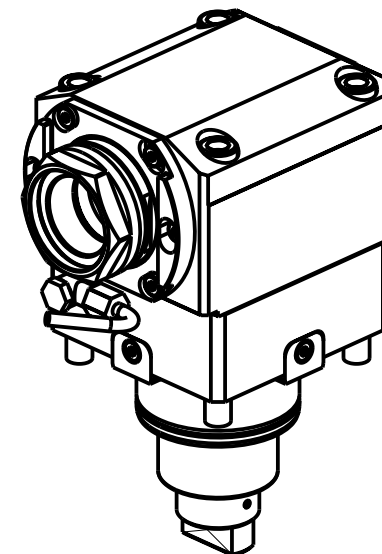
PAGINA DW0170-4-20



CUSCINETTI MAGGIORATI PER LAVORAZIONI PESANTI

Reinforced bearings for
heavy machining

Vergroesserte Lager fuer
schwerere Bearbeitungen



• Chiave inclusa

• Key included

• Schluessel inbegriffen

PER PORTAUTENSILI MODULARI MTSK-50 VEDI PAG. TBL300-1-50
FOR MTSK-50 QUICK CHANGE TOOLHOLDERS CLAMPINGS SEE PAGE TBL300-1-50
FUER MTSK-50 MODULARE WERKZEUGAUFNAHMEN SIEHE SEITE TBL300-1-50

Cod. MT	Mandrino Spindle Spindel	I	RPM	Coppia Max Max Torque Max Drehmoment	Reversibile lato mandrino/contromandrino Reversible sub/main spindle side Umkehrbare Spindel-seite/ Gegenspindel-seite	Lubr.interna Coolant through Innenkuehlung	Lubr.esterna Ext. coolant Aussenkuehlung	B	CHIAVI NON INCLUSE Keys not included Schluessel nicht einbegriffen	
DW 02150150	MTSK-50	1:1	6000	140Nm	X	-	X	64	CHUB55	OKU0430007 ▪
DW 02150250	MTSK-50	1:1	6000	140Nm	X	P=70bar	X	76.5	CHUB55	OKU0430007 ▪

DOOSAN BMT 75

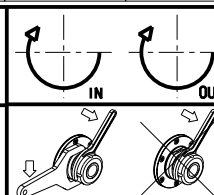
MOD: PUMA 400 - PUMA 480M/LM/XLM - PUMA 4100M - PUMA 5100M - V550M - VT 750M/TM - V8300M

MODULO MOTORIZZATO ASSIALE MAGGIORATO MTSK H=90mm

Axial MTSK reinforced driven tool H=90mm

Axial MTSK angetriebenes Werkzeug vergroessert H=90mm

Subject to change without notice.



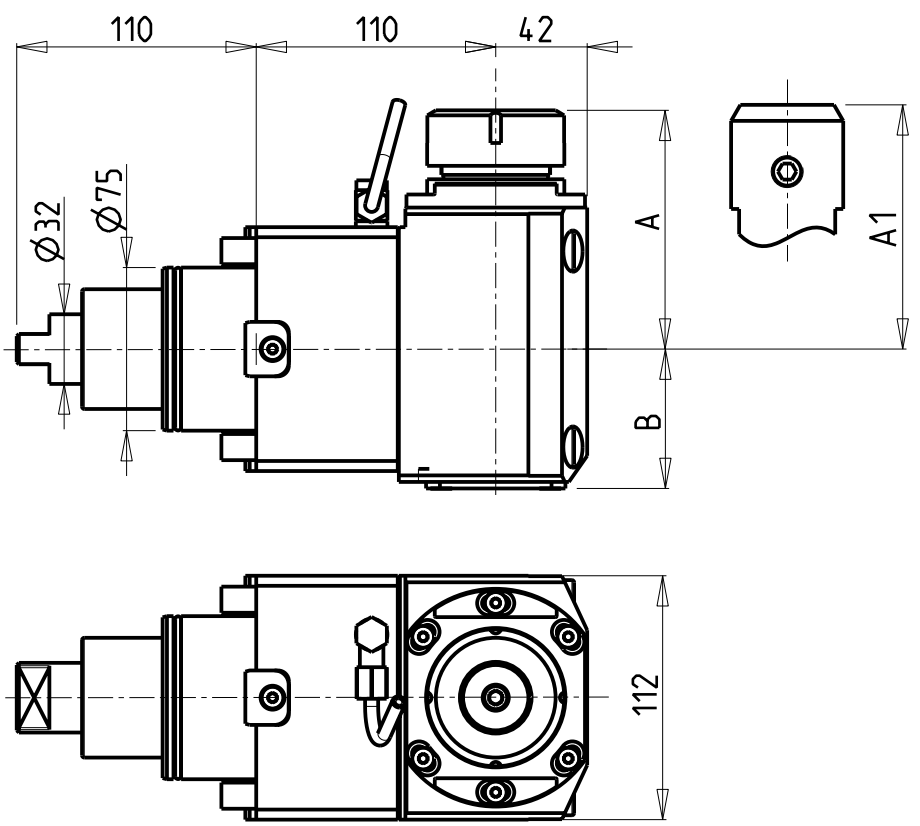
M.T. srl

Via Casino Albini 480
Tel. 0541/956034-957884
Fax 0541/956341
47842 S. GIOVANNI IN M. (RN)
e-mail: mtma@mtmarchetti.com
http://www.mtmarchetti.com

PRODUZIONE MODULI ROTANTI



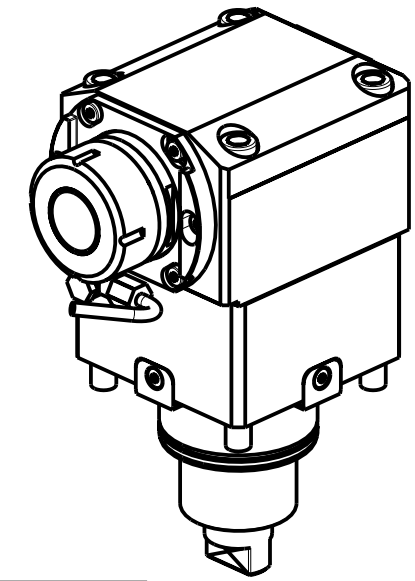
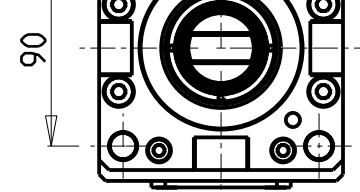
PAGINA DW0170-4-20-K



**CUSCINETTI MAGGIORATI
PER LAVORAZIONI PESANTI**

Reinforced bearings for
heavy machining

Vergroesserte Lager fuer
schwerere Bearbeitungen



Cod. MT	Mandrino Spindel Spindel	I	RPM	Coppia Max Max Torque Max Drehmoment	Lubrificazione int. Coolant through Innenkuehlung	Lubrificazione est. Ext. coolant Aussenkuehlung	A	A1	B	CHIAVI NON INCLUSE Keys not included Schlüssel nicht einbegriffen	
DW01340140	ER40	1:1	6000	140Nm	-	X	109.7	-	64	CHSTER40	OKU0430007
DW01340240	ER40	1:1	6000	140Nm	P=70bar	X	109.7	-	76.5	CHSTER40	OKU0430007
DW01340725	WELDON 25	1:1	6000	140Nm	-	X	-	109.5	64	-	-
DW01340825	WELDON 25	1:1	6000	140Nm	P=70bar	X	-	109.5	76.5	-	-

- Chiave inclusa
- Key included
- Schlüssel inbegriffen

DOOSAN BMT 75

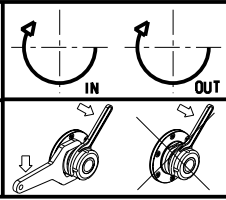
MOD: PUMA 400 - PUMA 480M/LM/XLM - PUMA 4100M - PUMA 5100M - V550M - VT 750M/TM - V8300M

MODULO MOTORIZZATO ASSIALE MAGGIORATO H=110mm

Axial reinforced driven tool H=110mm

Axial angetriebenes Werkzeug vergroessert H=110mm

Subject to change without notice.



M.T. srl
Via Casino Albini 480
Tel. 0541/956034-957884
Fax 0541/956341
47842 S. GIOVANNI IN M. (RN)
e-mail: mtma@mtmarchetti.com
http://www.mtmarchetti.com

PRODUZIONE MODULI ROTANTI

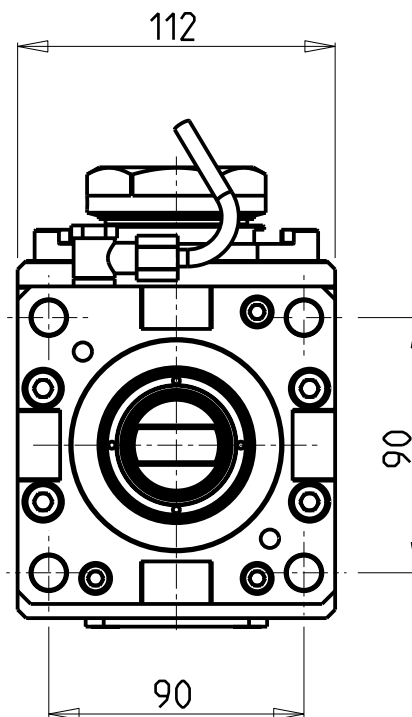
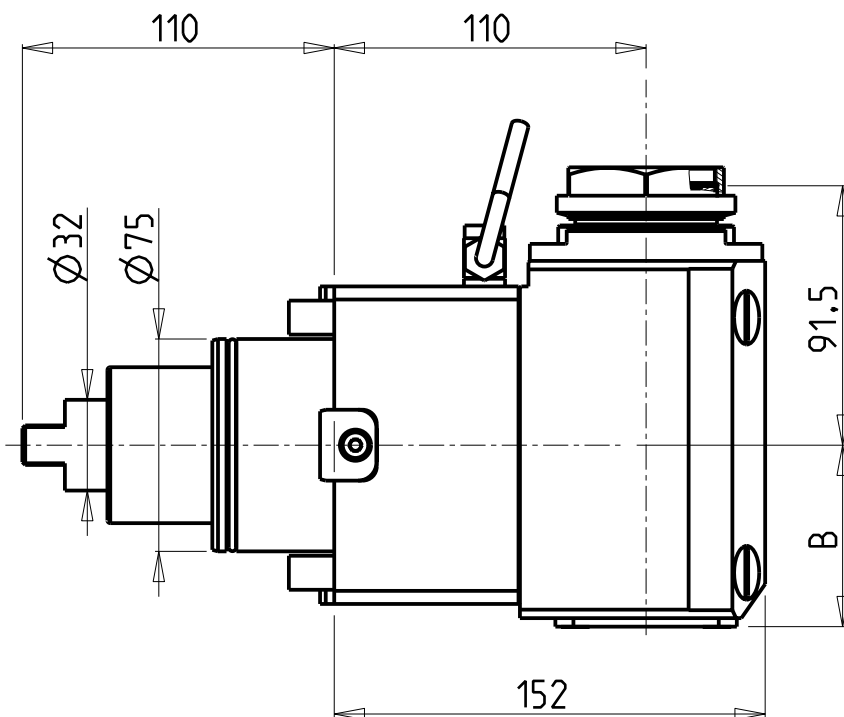
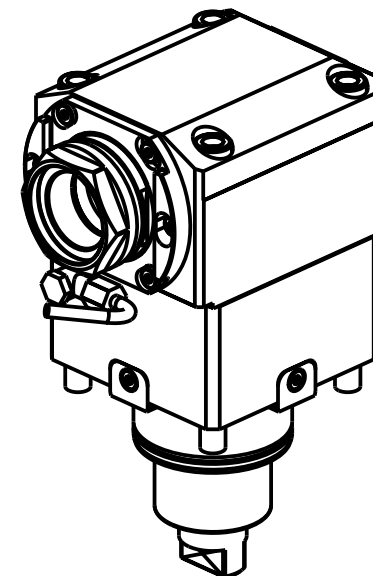


PAGINA DW0170-4-30

CUSCINETTI MAGGIORATI PER LAVORAZIONI PESANTI

Reinforced bearings for
heavy machining

Vergroesserte Lager fuer
schwerere Bearbeitungen



PER PORTAUTENSILI MODULARI MTSK-50 VEDI PAG. TBL300-1-50
FOR MTSK-50 QUICK CHANGE TOOLHOLDERS CLAMPINGS SEE PAGE TBL300-1-50
FUER MTSK-50 MODULARE WERKZEUGAUFNAHMEN SIEHE SEITE TBL300-1-50

- Chiave inclusa
- Key included
- Schluessel inbegriffen

Cod. MT	Mandrino Spindel Spindel	I	RPM	Coppia Max Max Torque Max Drehmoment	Reversibile lato mandrino/contromandrino Reversible sub/main spindle side Umkehrbare Spindel-seite/ Gegen-spindel-seite	Lubr.interna Coolant through Innenkuehlung	Lubr.esterna Ext. coolant Aussenkuehlung	B	CHIAVI NON INCLUSE Keys not included Schluessel nicht einbegriffen	
DW 02160150	MTSK-50	1:1	6000	140Nm	X	-	X	64	CHUB55	OKU0430007 ▪
DW 02160250	MTSK-50	1:1	6000	140Nm	X	P=70bar	X	76.5	CHUB55	OKU0430007 ▪

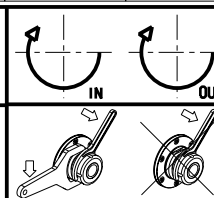
DOOSAN BMT 75

MOD: PUMA 400 - PUMA 480M/LM/XLM - PUMA 4100M - PUMA 5100M - V550M - VT 750M/TM - V8300M

MODULO MOTORIZZATO ASSIALE MAGGIORATO MTSK H=110mm

Axial MTSK reinforced driven tool H=110mm

Axial MTSK angetriebenes Werkzeug vergroessert H=110mm



M.T. srl

Via Casino Albini 480
Tel. 0541/956034-957884
Fax 0541/956341
47842 S. GIOVANNI IN M. (RN)
e-mail: mtma@mtmarchetti.com
http://www.mtmarchetti.com

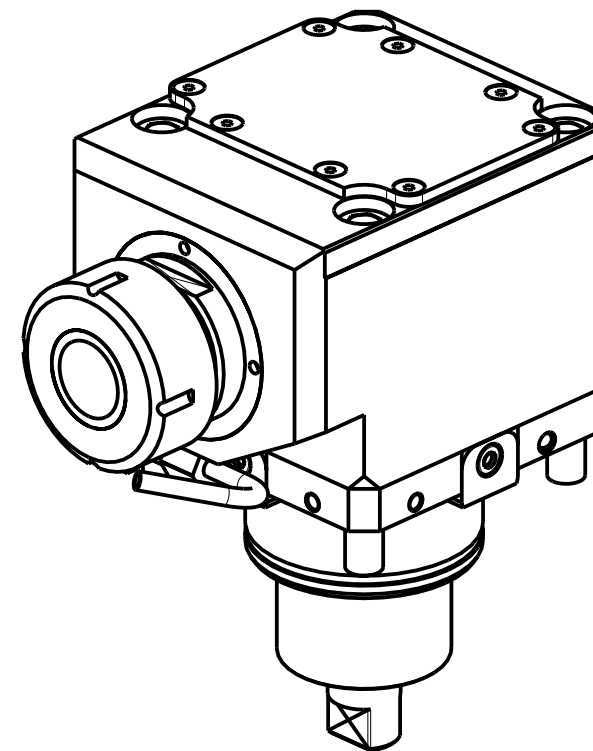
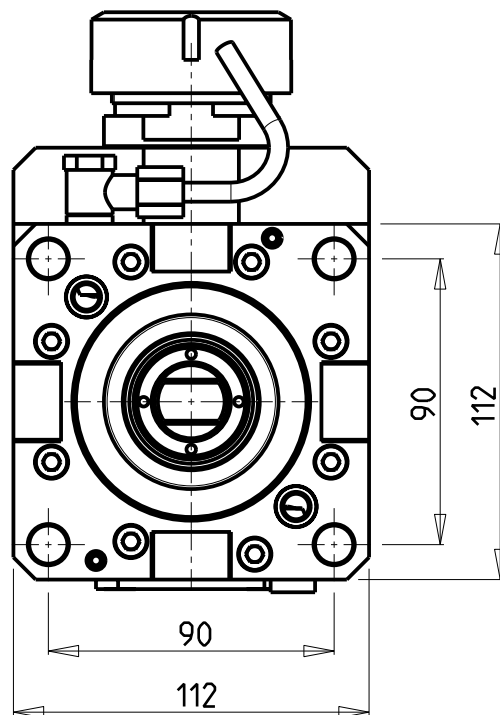
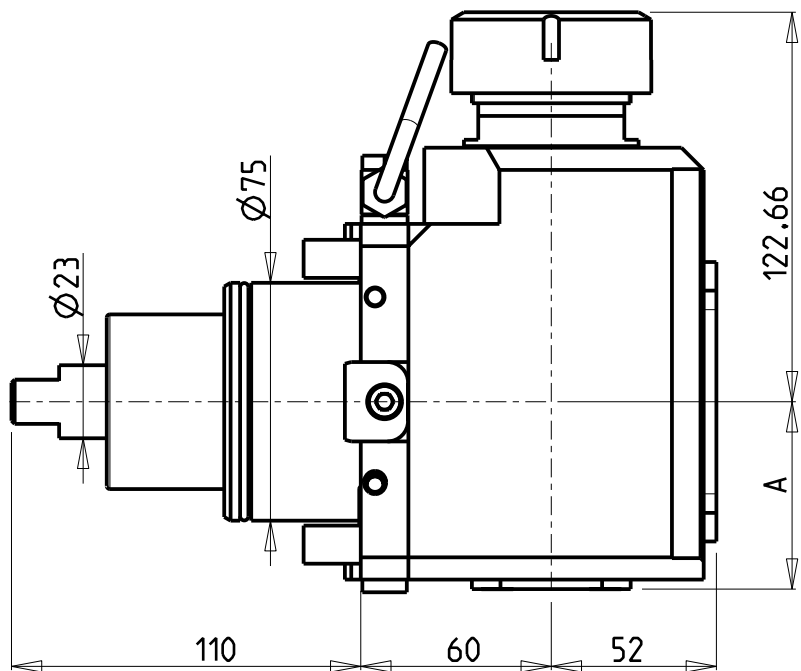
PRODUZIONE MODULI ROTANTI



PAGINA DW0170-4-30-K

Subject to change without notice.

04/2020



Cod. MT	Mandrino Spindle Spindel	I	RPM	Coppia Max Max Torque Max Drehmoment	Reversibile lato mandrino/contromandrino Reversible sub/main spindle side Umkehrbare Spindel-seite/ Gegenspindel-seite	Lubrificazione int. Coolant through Innenkuhlung	Lubrificazione est. Ext. coolant Aussenkuhlung	A	CHIAVI NON INCLUSE Keys not included Schlus-sel nicht einbegriffen	
DW 00470140	ER40	2:1	3000	180Nm	X		X	59	CHUB46	CHSTER40
DW 00470240	ER40	2:1	3000	180Nm	X	P=70bar	X	70	CHUB46	CHSTER40

DOOSAN BMT 75

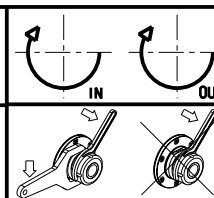
MOD: PUMA 400 - PUMA 480M/LM/XLM - PUMA 4100M - PUMA 5100M - V550M - V8300M

MODULO MOTORIZZATO ASSIALE RIDOTTO I=2:1 H=60mm

Axial geared-down I=2:1 driven tool H=60mm

Axial angetriebenes Werkzeug untersetzt I=2:1 H=60mm

Subject to change without notice.



M.T. srl

Via Casino Albini 480
Tel. 0541/956034-957884

Fax 0541/956341

47842 S. GIOVANNI IN M. (RN)

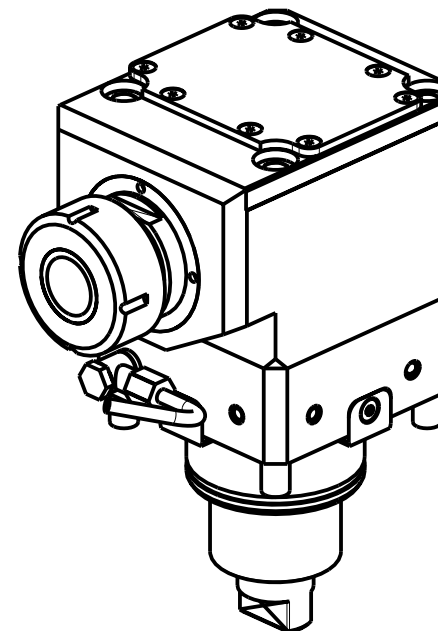
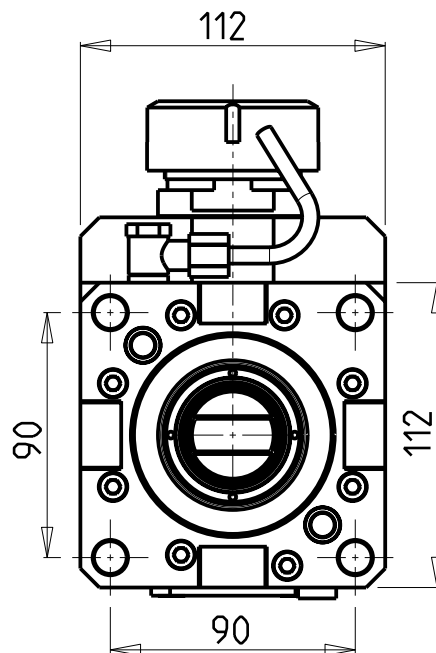
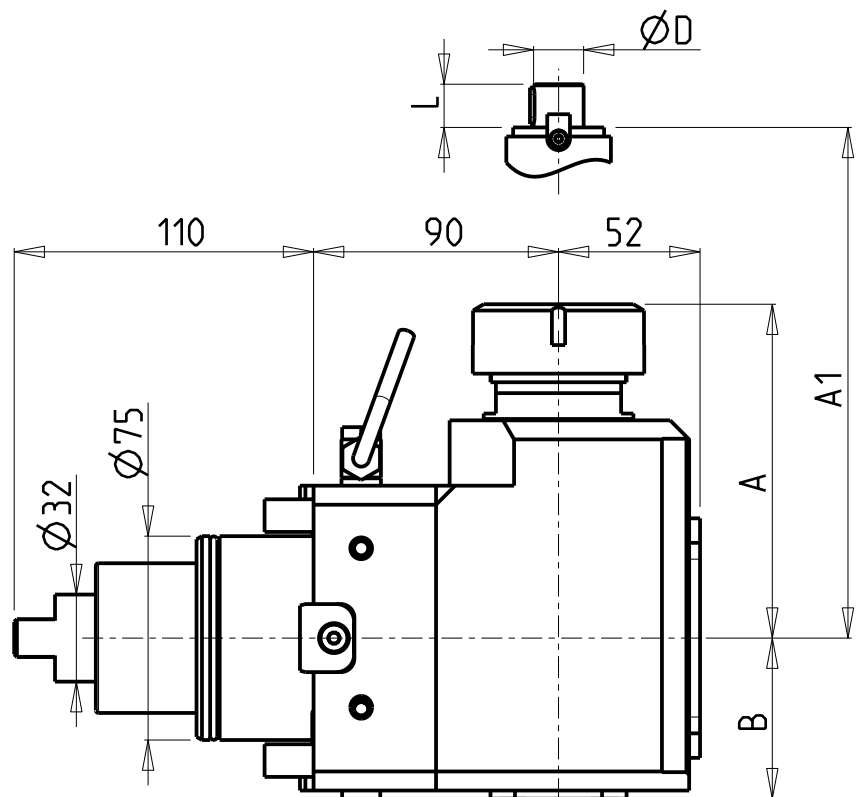
e-mail: mtma@mtmarchetti.com

http://www.mtmarchetti.com

PRODUZIONE MODULI ROTANTI



PAGINA DW0190-4-10



- Chiave inclusa
- Key included
- Schluessel inbegriffen

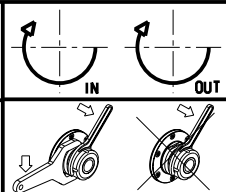
Cod. MT	Mandrino Spindle Spindel	I	RPM	Coppia Max Max Torque Max Drehmoment	Reversibile lato mandrino/contromandrino Reversible sub/main spindle side Umkehrbare Spindel-seite/ Gegenspindel-seite	Lubrificazione int. Coolant through Innenkühlung	Lubrificazione est. Ext. coolant Aussenkühlung	A	A1	B	D	L	CHIAVI NON INCLUSE Keys not included Schluessel nicht einbegriffen	
DW 01370140	ER40	2:1	3000	180Nm	X	-	X	122.66	-	59	-	-	CHUB46	CHSTER40
DW 01370240	ER40	2:1	3000	180Nm	X	P=70bar	X	122.66	-	70	-	-	CHUB46	CHSTER40
DW 01372733	Ø27x33	2:1	3000	180Nm	X	-	X	-	92.5	59	27	33	CHUB46	CH_VTCROCE_M12 *

DOOSAN BMT 75

MOD: PUMA 400 - PUMA 480M/LM/XLM - PUMA 4100M - PUMA 5100M - V550M - VT 750M/TM - V8300M

MODULO MOTORIZZATO ASSIALE RIDOTTO I=2:1 H=90mm
 Axial geared-down I=2:1 driven tool H=90mm
 Axial angetriebenes Werkzeug untersetzt I=2:1 H=90mm

Subject to change without notice.

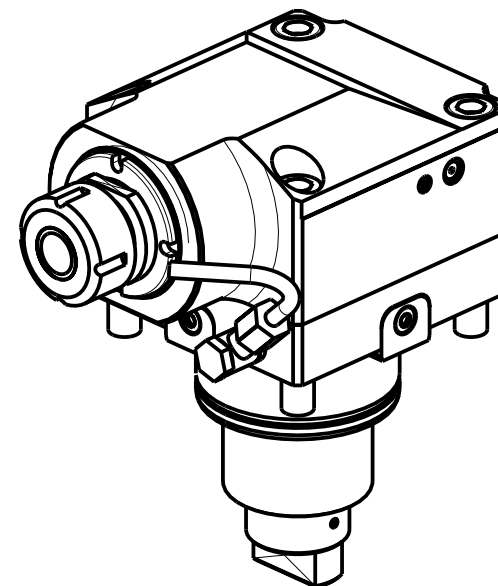
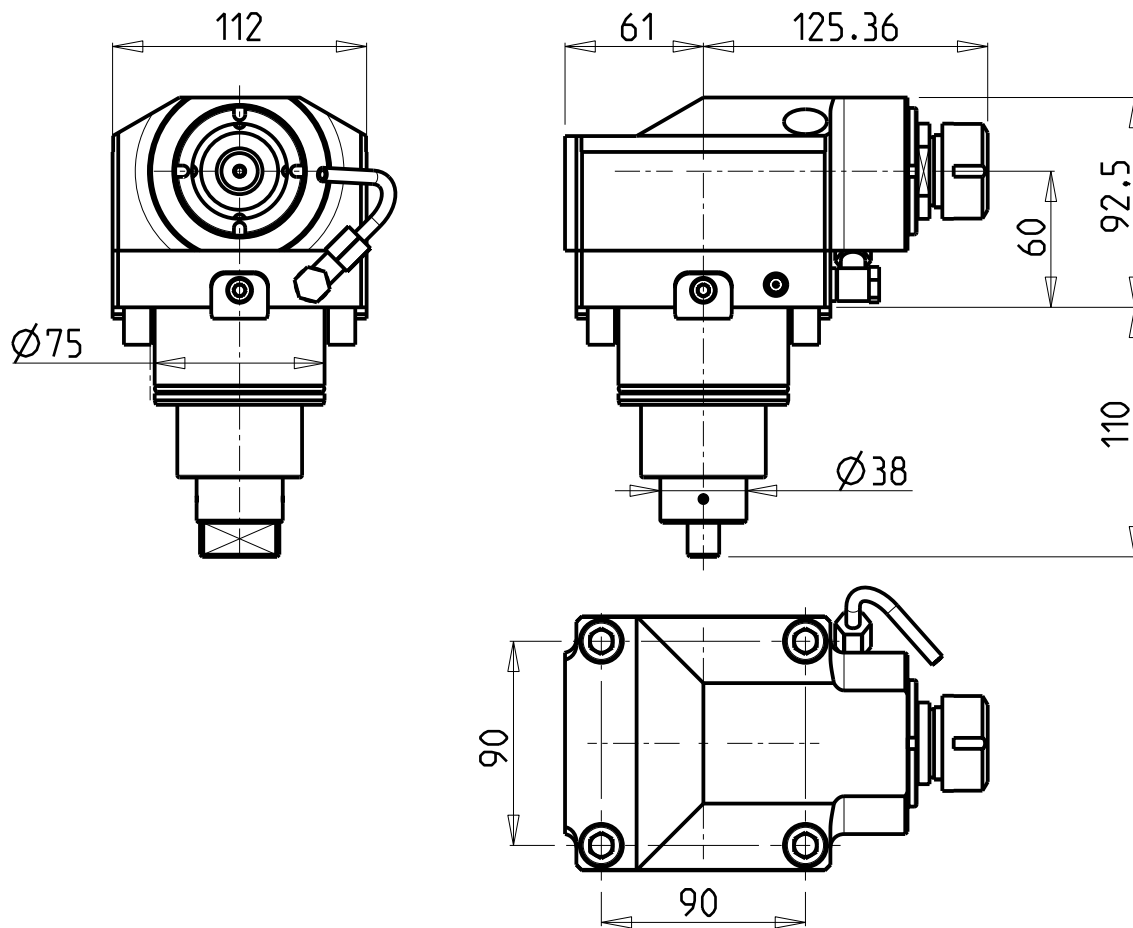


M.T. srl
 Via Casino Albini 480
 Tel. 0541/956034-957884
 Fax 0541/956341
 47842 S. GIOVANNI IN M. (RN)
 e-mail: mtma@mtmarchetti.com
 http://www.mtmarchetti.com

PRODUZIONE MODULI ROTANTI



PAGINA DW0190-4-20



Cod. MT	Mandrino Spindle Spindel	i	RPM MAX	Coppia Max Max Torque Max Drehmoment	Lubrificazione int. Coolant through Innenkuehlung	Lubrificazione est. Ext. coolant Aussenkuehlung	CHIAVI NON INCLUDE Keys not included Schlüssel nicht einbegriffen	
							CHSTER25	CHUB36
DW 00570125	ER25	1:3	12000	60Nm	-	X	CHSTER25	CHUB36
DW 00570225	ER25	1:3	12000	60Nm	P=70bar	X	CHSTER25	CHUB36

DOOSAN BMT 75

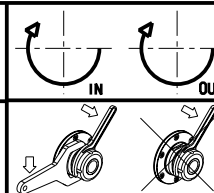
MOD: PUMA 400 - PUMA 480M/LM/XLM - PUMA 4100M - PUMA 5100M - V550M - V8300M

MODULO MOTORIZZATO ASSIALE MOLTIPLICATO I=1:3

Axial geared-up I=1:3 driven tool

Axial angetriebenes Werkzeug uebersetzt I=1:3

Subject to change without notice.



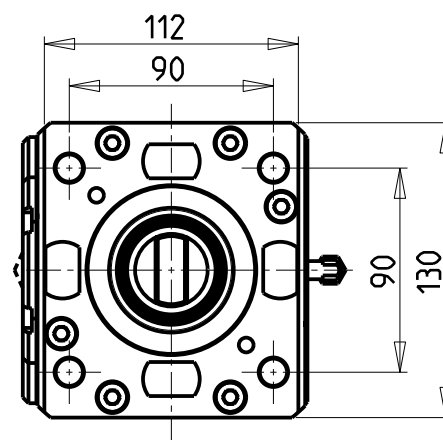
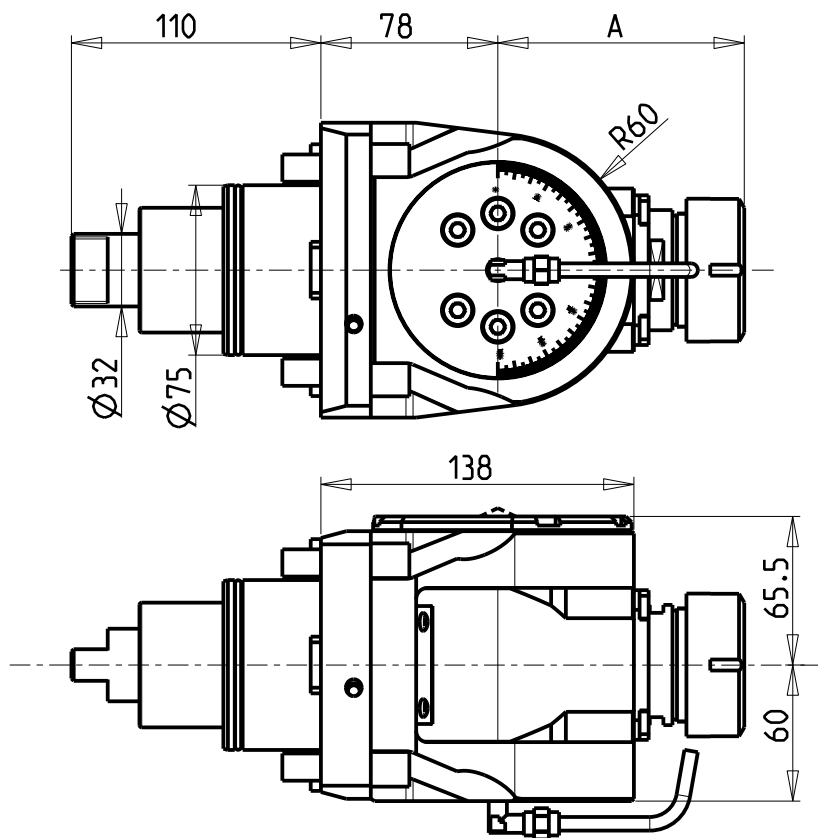
M.T. srl

Via Casino Albini 480
Tel. 0541/956034-957884
Fax 0541/956341
47842 S. GIOVANNI IN M. (RN)
e-mail: mtma@mtmarchetti.com
http://www.mtmarchetti.com

PRODUZIONE MODULI ROTANTI

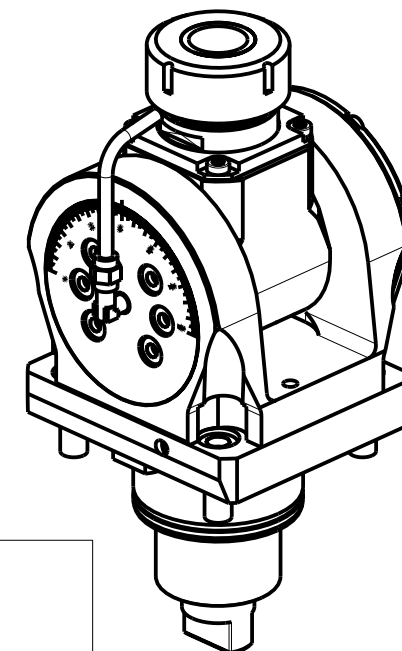


PAGINA DW 0205-4-10



ATTENZIONE - ATTENTION - ACHTUNG

- Per lo smontaggio degli utensili utilizzare sempre la chiave di contrasto come indicato nel manuale d'uso.
- For disassembly of the tools use always the contrast key as mentioned in the user instructions.
- Fuer das Abmontieren der Werkzeuge immer den Gegenschlüssel benutzen wie in der Bedienungsanleitung erwäehnt.



Cod. MT	Mandrino Spindle Spindel	I	RPM	Coppia Max Max Torque Max Drehmoment	Lubrificazione int. Coolant through Innenkuehlung	Lubrificazione est. Ext. coolant Aussenkuehlung	A	CHIAVI INCLUSE Keys included Schluessel inbegriffen				
DW00820332	ERA32	1:1	6000	50Nm		X	81	CHUB30	CHUB46	CHTAER32ZC	CHESL10	CHESL06
DW00820432	ERA32	1:1	6000	50Nm	P=70bar	X	81	CHUB30	CHUB46	CHTAER32ZC	CHESL10	CHESL06
DW00820140	ER40	1:1	6000	50Nm		X	108.66	-	CHUB46	CHSTER40	CHESL10	CHESL06
DW00820240	ER40	1:1	6000	50Nm	P=70bar	X	108.66	-	CHUB46	CHSTER40	CHESL10	CHESL06

DOOSAN BMT 75

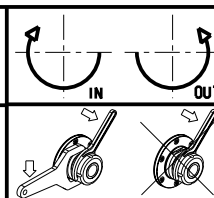
MOD: PUMA 400 - PUMA 480M/LM/XLM - PUMA 4100M - PUMA 5100M - V550M - VT 750M/TM - V8300M

MODULO MOTORIZZATO ORIENTABILE +/-90°

+/-90° adjustable angle driven tool

Angetriebenes Werkzeug schwenkbar +/-90°

Subject to change without notice.



M.T. srl

Via Casino Albini 480

Tel. 0541/956034-957884

Fax 0541/956341

47842 S. GIOVANNI IN M. (RN)

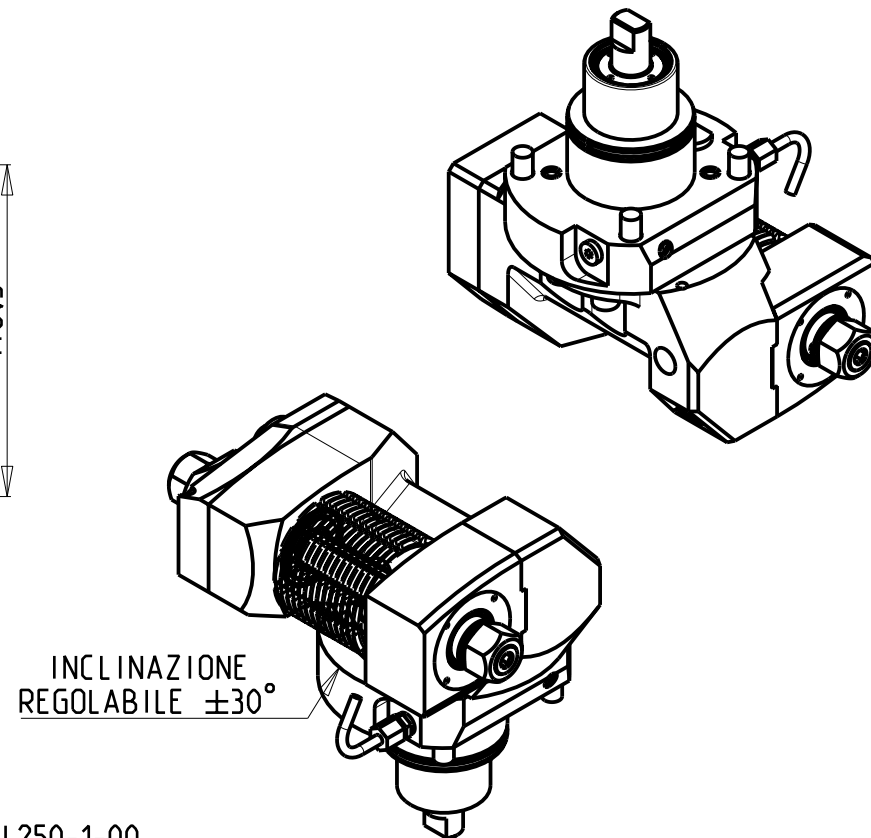
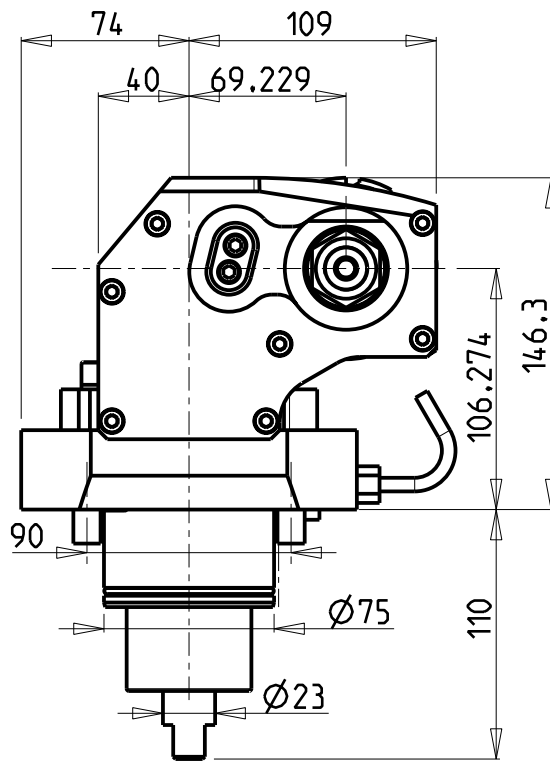
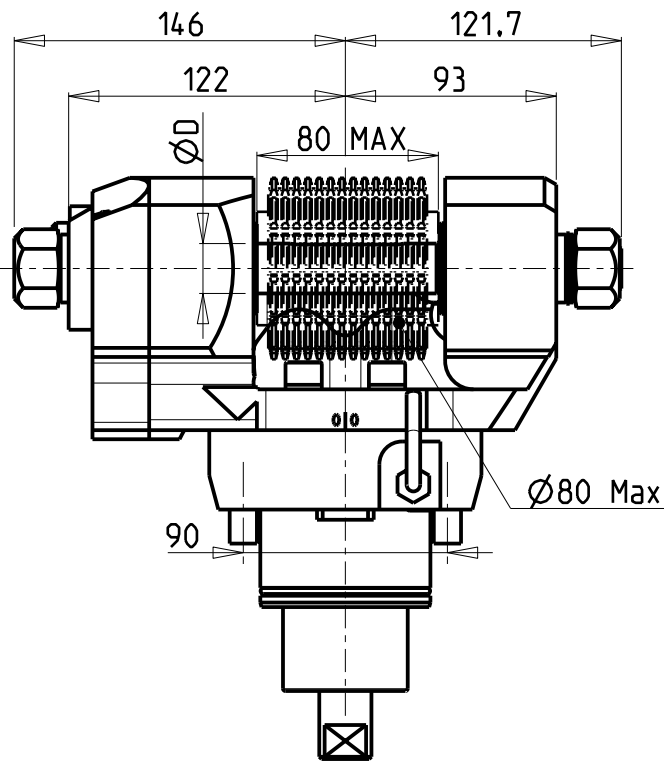
e-mail: mtma@mtmarchetti.com

http://www.mtmarchetti.com

PRODUZIONE MODULI ROTANTI



PAGINA DW0339-4-00



DOTAZIONI - SUPPLIED WITH - AUSSTATTUNG

- mm / inch
- N°1 ALBERO + DISTANZIALI
 - N°1 SHAFT + SPACER
 - N°1 DORN + ABSTANDSSTUECK

PER ALBERI E DISTANZIALI VEDI PAG. TBL250-1-00
 FOR SHAFT END SPACER SEE PAGE TBL250-1-00
 FUER DORN UND ABSTANDSSTUECK SEITE TBL250-1-00

Cod. MT	I	RPM	Coppia Max Max Torque Max Drehmoment	Reversibile lato mandrino/contromandrino Reversible sub/main spindle side Umkehrbare Spindel-seite/ Gegenspindel-seite	Lubrificazione est. Ext. coolant Aussenkuehlung	D (mm)	D (Inch)	CHIAVI INCLUSE Keys included Schluessel inbegriffen		
								CHUB30	CHESL08	CHUB24 (Ø16 / Ø3/4")
DW00251100	1:1	6000	90Nm	X	X	16-22-27-32	3/4"-1"-1 1/4"	CHUB30	CHESL08	CHUB24 (Ø16 / Ø3/4")
DW00252100	2:1	3000	110Nm	X	X	16-22-27-32	3/4"-1"-1 1/4"	CHUB30	CHESL08	CHUB24 (Ø16 / Ø3/4")

DOOSAN BMT 75

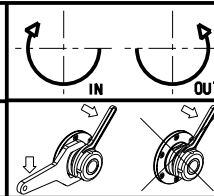
MOD: PUMA 400 - PUMA 480M/LM/XLM - PUMA 4100M - PUMA 5100M - V550M - VT 750M/TM - V8300M

MODULO MOTORIZZATO PORTACREATORE MAGGIORATO

Reinforced driven gear hobber

Angetriebenes Zahnradwaeltzfraes-Werkzeug vergroessert

Subject to change without notice.



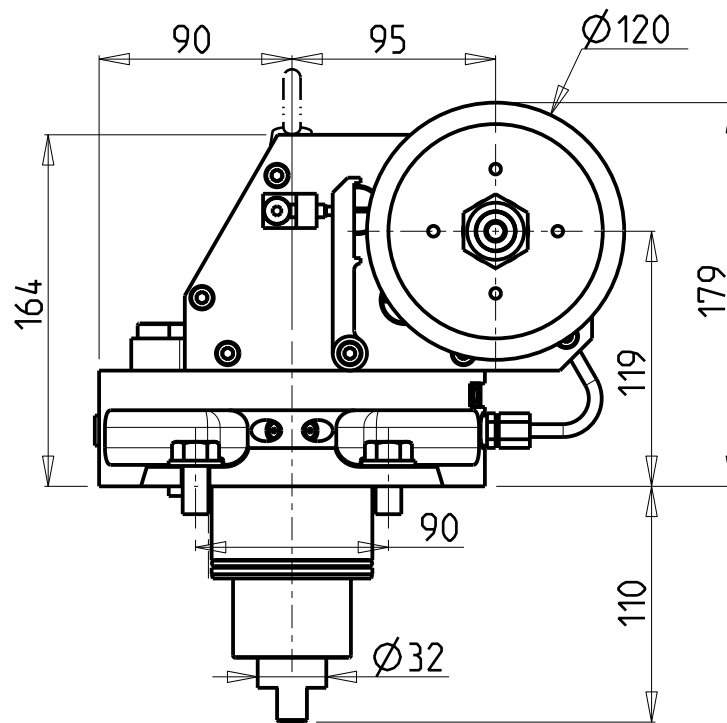
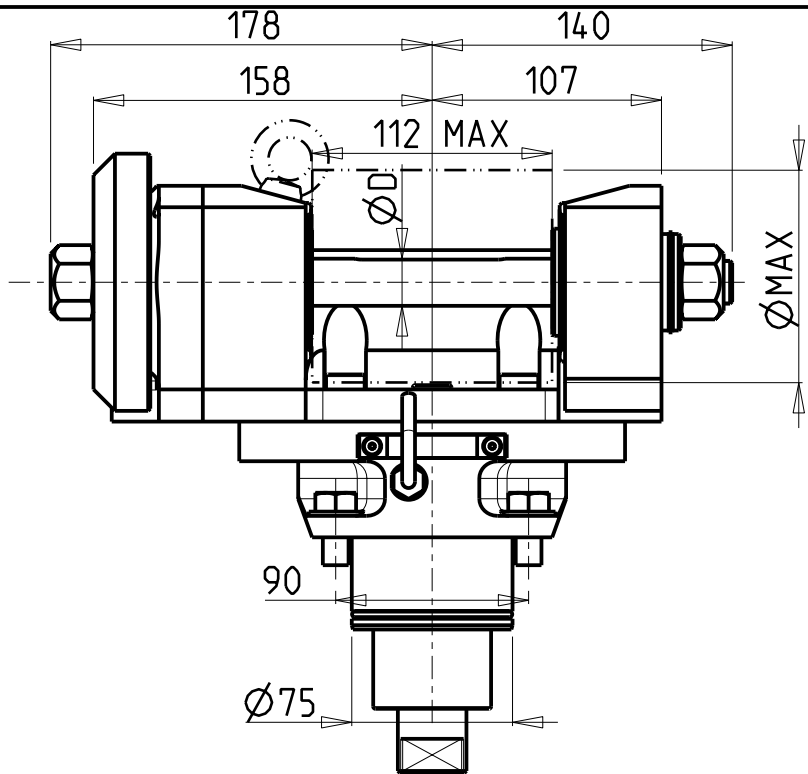
M.T. srl

Via Casino Albini 480
 Tel. 0541/956034-957884
 Fax 0541/956341
 47842 S. GIOVANNI IN M. (RN)
 e-mail: mtma@mtmarchetti.com
 http://www.mtmarchetti.com

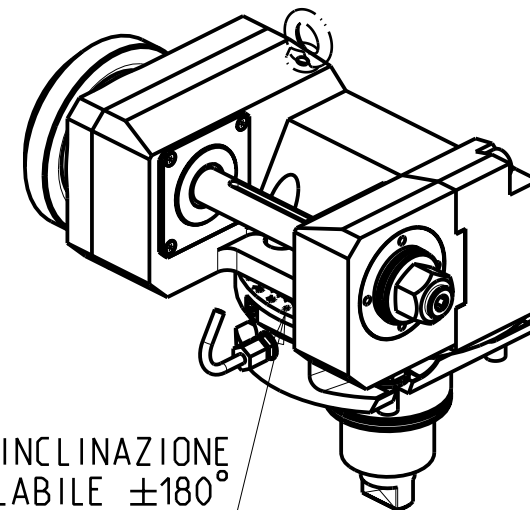
PRODUZIONE MODULI ROTANTI



PAGINA DW0340-4-60



D (mm)	ØMAX (mm)
22	89
27-32	100



INCLINAZIONE
REGOLABILE ±180°

DOTAZIONI - SUPPLIED WITH - AUSSTATTUNG

- | mm / inch | |
|-----------|-----------------------------|
| | - N°1 ALBERO + DISTANZIALI |
| | - N°1 SHAFT + SPACER |
| | - N°1 DORN + ABSTANDSSTUECK |

PER ALBERI E DISTANZIALI VEDI PAG. TBL250-1-00
FOR SHAFT END SPACER SEE PAGE TBL250-1-00
FUER DORN UND ABSTANDSSTUECK SEITE TBL250-1-00

Cod. MT	i	RPM max	Coppia Max Max Torque Max Drehmoment	Lubrificazione est. Ext. coolant Aussenkuehlung	D (mm)	CHIAVI INCLUSE Keys included Schluessel inbegriffen			
						CHUB30	CHESL08	CHESL10	CHUB19
DW 00811100	1:1	6000	110Nm	X	22-27-32	CHUB30	CHESL08	CHESL10	CHUB19
DW 00812100	2:1	3000	130Nm	X	22-27-32	CHUB30	CHESL08	CHESL10	CHUB19

DOOSAN BMT 75

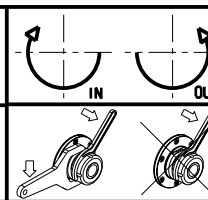
MOD: PUMA 400 - PUMA 480M/LM/XLM - PUMA 4100M - PUMA 5100M - VT 750M/TM

MODULO MOTORIZZATO PORTACREATORE (TAGLIA GRANDE)

Driven gear hobber (big size)

Angetriebenes Zahnradwaeltzraes-Werkzeug (grosse version)

Subject to change without notice.



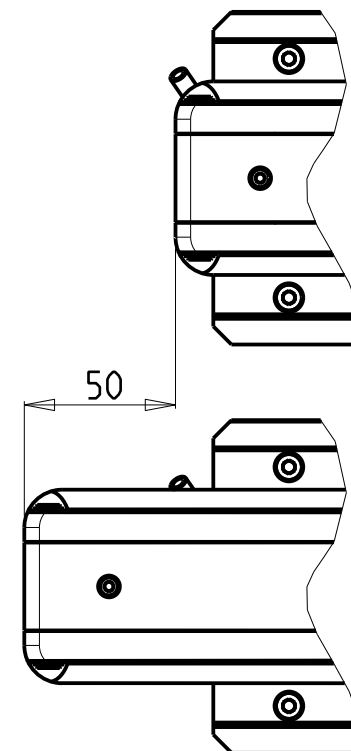
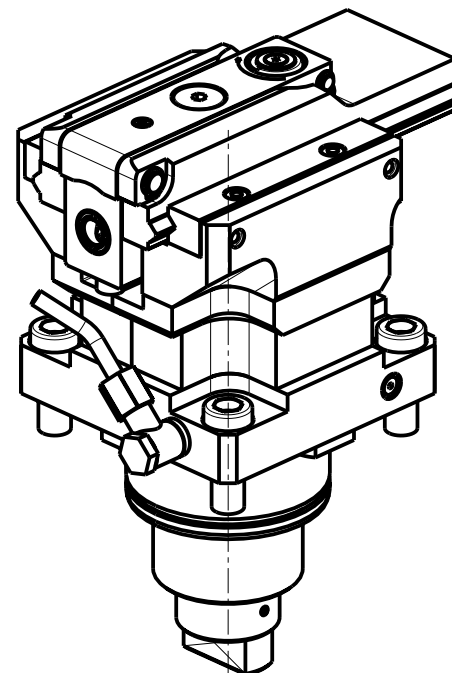
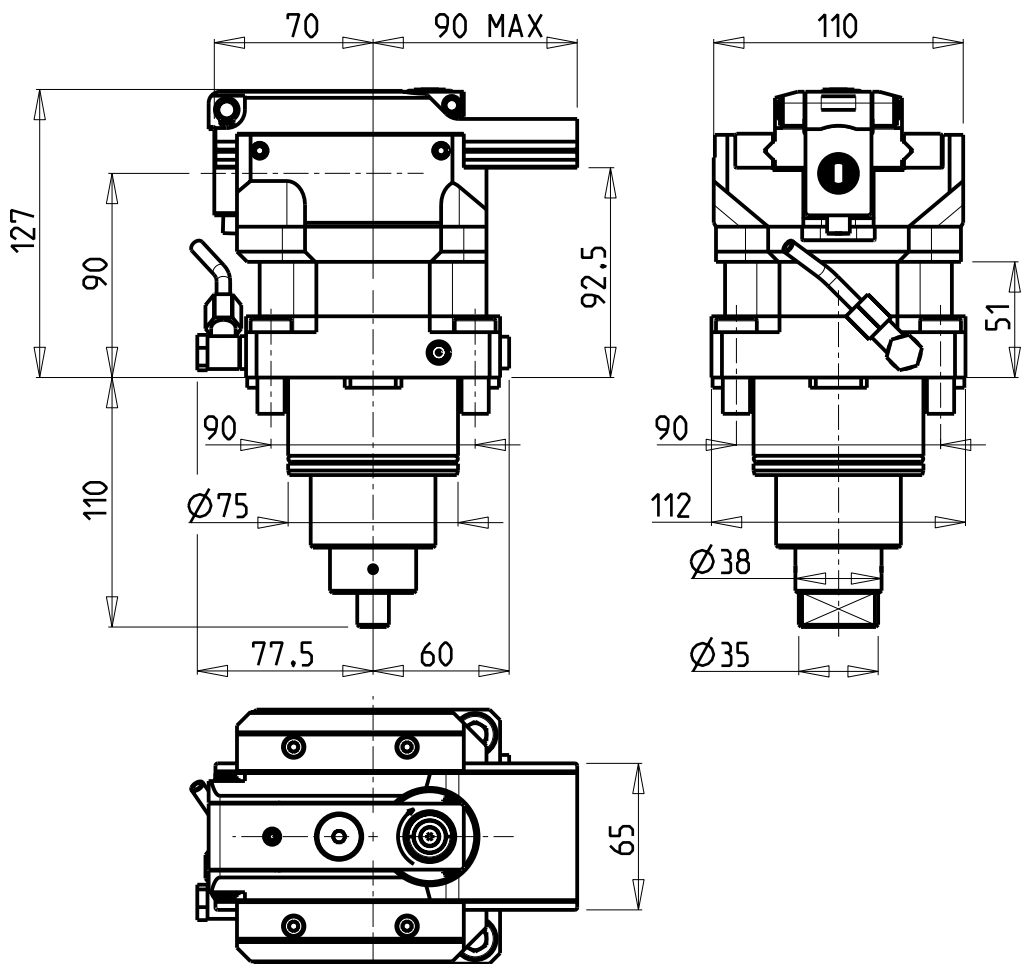
M.T. srl

Via Casino Albini 480
Tel. 0541/956034-957884
Fax 0541/956341
47842 S. GIOVANNI IN M. (RN)
e-mail: mtma@mtmarchetti.com
http://www.mtmarchetti.com

PRODUZIONE MODULI ROTANTI



PAGINA DW0340-4-80



PER UTENSILI STOZZATORI VEDI PAG. TBL400-1-00
 FOR DRIVEN SLOTTING TOOL CUTTING-TOOLS SEE PAGE TBL400-1-00
 FÜR NUTENSTOSS-WERKZEUG SCHNEIDWERKZEUGE SIEHE SEITE TBL400-1-00

Cod. MT	I	RPM MAX	Reversibile lato mandrino/contromandrino Reversible sub/main spindle side Umkehrbare Spindel-seite/ Gegenspindel-seite	Lubr. esterna Ext. coolant Aussenkuehlung
DW01980100	4:1	2000	X	X

DOOSAN BMT 75

MOD: PUMA 400 - PUMA 480M/LM/XLM - PUMA 4100M - PUMA 5100M - V550M - VT 750M/TM

MODULO MOTORIZZATO STOZZATORE CORSA 50mm H=90mm

Slotting driven tool 50mm stroke H=90mm

Keilnutenstossmaschine 50mm Hub H=90mm

Subject to change without notice.

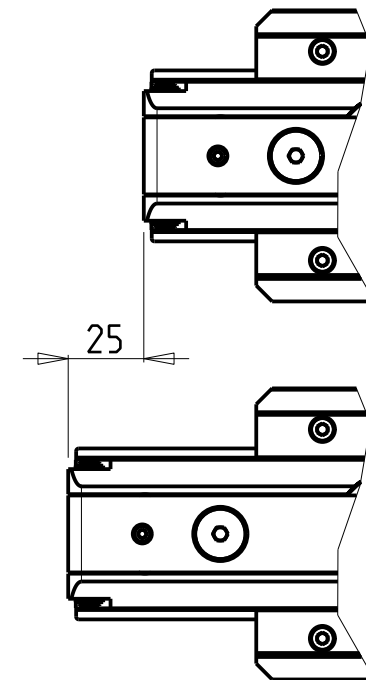
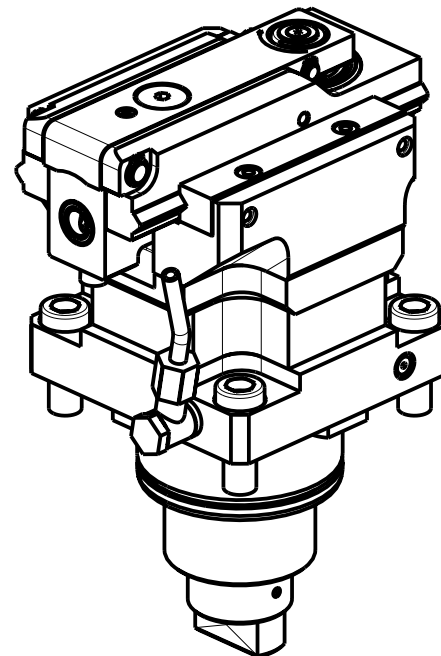
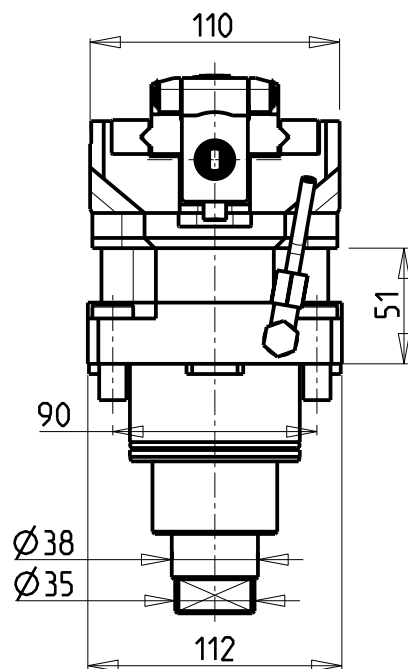
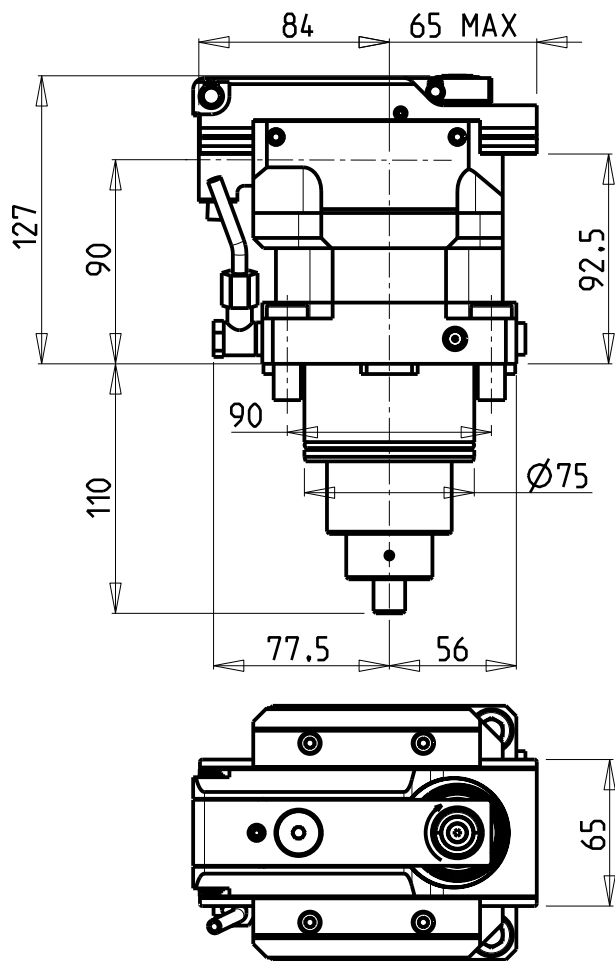
M.T. srl

Via Casino Albini 480
 Tel. 0541/956034-957884
 Fax 0541/956341
 47842 S. GIOVANNI IN M. (RN)
 e-mail: mtma@mtmarchetti.com
 http://www.mtmarchetti.com

PRODUZIONE MODULI ROTANTI



PAGINA DW0360-4-00



PER UTENSILI STOZZATORI VEDI PAG. TBL400-1-00
 FOR DRIVEN SLOTTING TOOL CUTTING-TOOLS SEE PAGE TBL400-1-00
 FÜR NUTENSTOSS-WERKZEUG SCHNEIDWERKZEUGE SIEHE SEITE TBL400-1-00

Cod. MT	I	RPM MAX	Reversibile lato mandrino/contromandrino Reversible sub/main spindle side Umkehrbare Spindel-seite/ Gegenspindel-seite	Lubr. esterna Ext. coolant Aussenkuehlung
DW 01980200	4:1	2400	X	X

DOOSAN BMT 75

MOD: PUMA 400 - PUMA 480M/LM/XLM - PUMA 4100M - PUMA 5100M - V550M - VT 750M/TM - V8300M

MODULO MOTORIZZATO STOZZATORE CORSA 25mm H=90mm

Slotting driven tool 25mm stroke H=90mm

Keilnutenstossmaschine 25mm Hub H=90mm

Subject to change without notice.

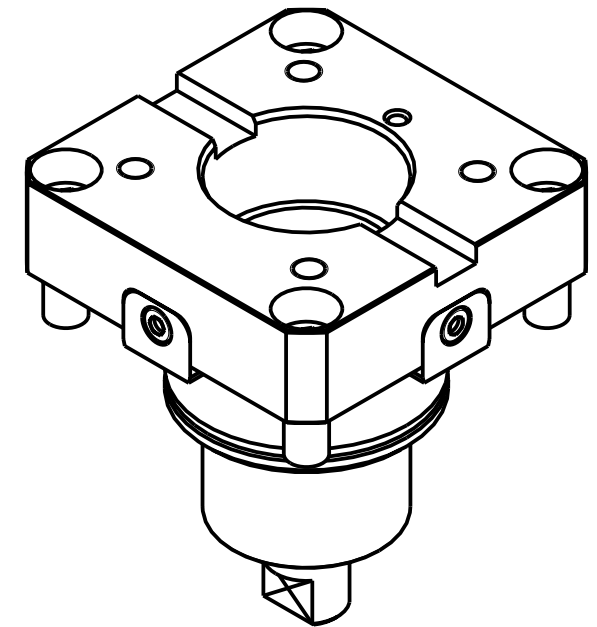
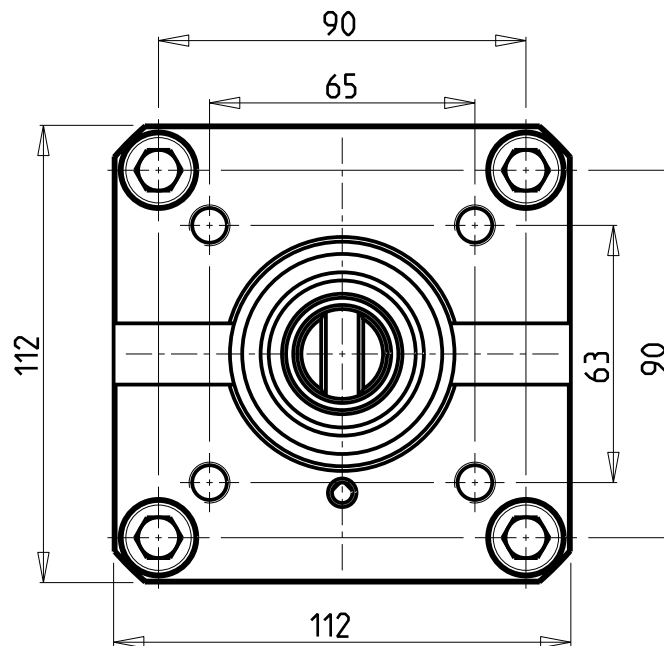
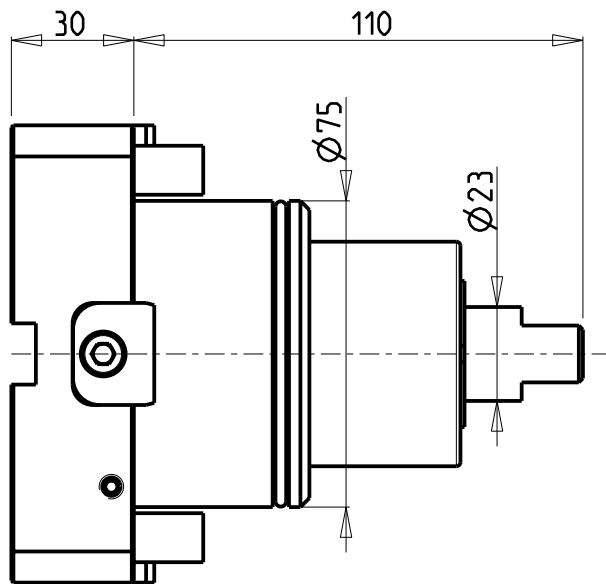
M.T. srl

Via Casino Albini 480
 Tel. 0541/956034-957884
 Fax 0541/956341
 47842 S. GIOVANNI IN M. (RN)
 e-mail: mtma@mtmarchetti.com
 http://www.mtmarchetti.com

PRODUZIONE MODULI ROTANTI



PAGINA DW 0360-4-01



Cod. MT

0300075

DOOSAN BMT 75

MOD: PUMA 400 - PUMA 480M/LM/XLM - PUMA 4100M - PUMA 5100M - V550M - VT 750M/TM - V8300M

INTERFACCIA PER MODULI BIGLIA

Biglia tooling adapter cartridge

Adapter-Patrone fuer Biglia Werkzeuge

Subject to change without notice.

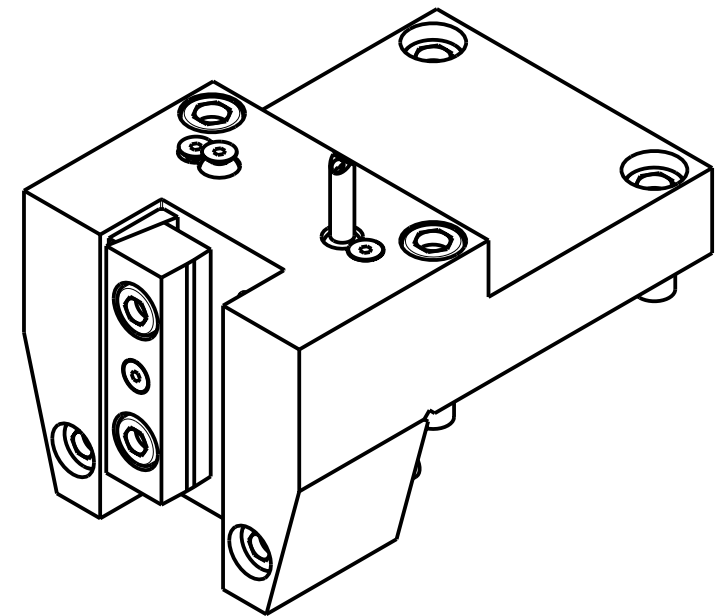
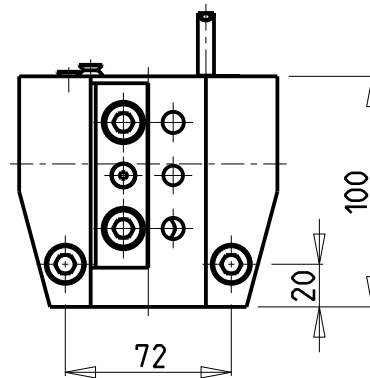
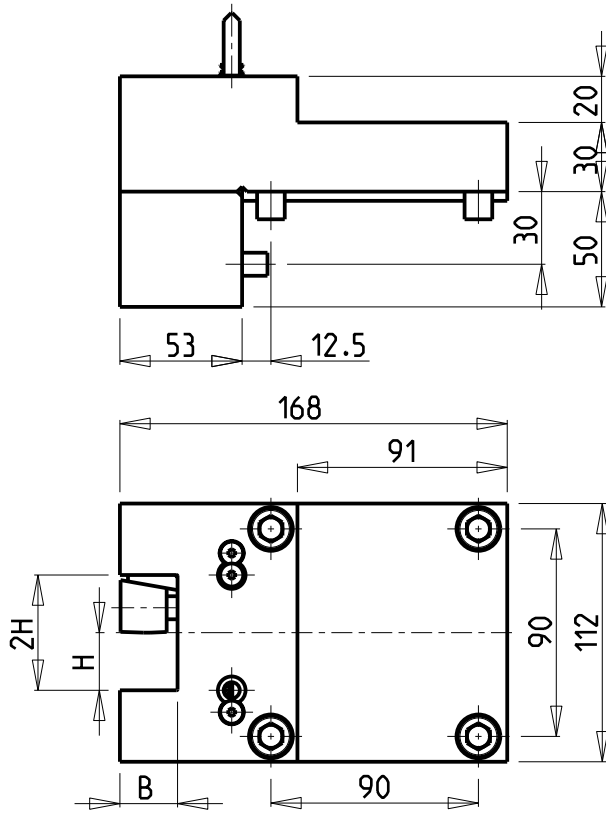
M.T. srl

Via Casino Albini 480
 Tel. 0541/956034-957884
 Fax 0541/956341
 47842 S. GIOVANNI IN M. (RN)
 e-mail: mtma@mtmarchetti.com
 http://www.mtmarchetti.com

PRODUZIONE MODULI ROTANTI



PAGINA DW0380-4-00



Cod. MT	N°Utensili N°Tools N°Werkzeuge	Misure Dimensions Masse	B	H
0902500	1	mm	25	25
0902540	1	Inch	1"	1"
0903200	1	mm	32	32
0903175	1	Inch	1-1/4"	1-1/4"

DOOSAN BMT 75

MOD: PUMA 400 - PUMA 480M/LM/XLM - PUMA 4100M - PUMA 5100M - V550M - VT 750M/TM - V8300M

PORTAUTENSILE RADIALE SINGOLO QD=25mm / QD=1" / QD=32mm / QD=1 1/4"

Radial single static tool QD=25mm / QD=1" / QD=32mm / QD=1 1/4"

Radial Single-Werkzeughalter QD=25mm / QD=1" / QD=32mm / QD=1 1/4"

Subject to change without notice.

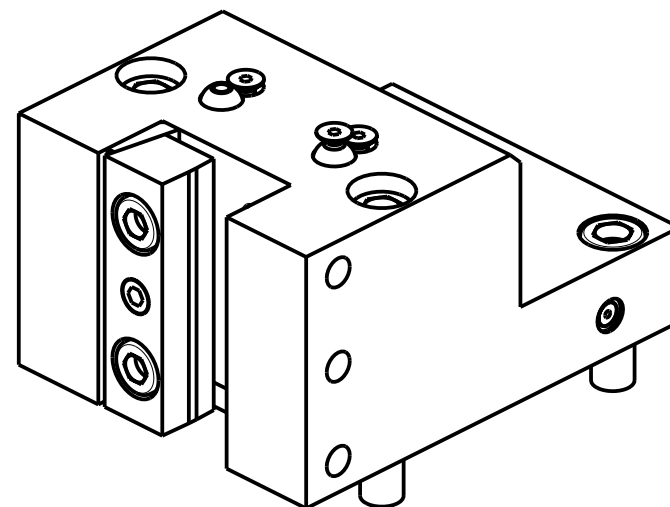
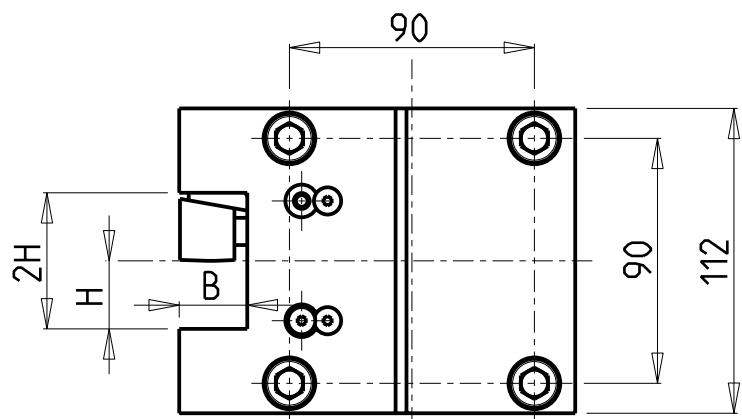
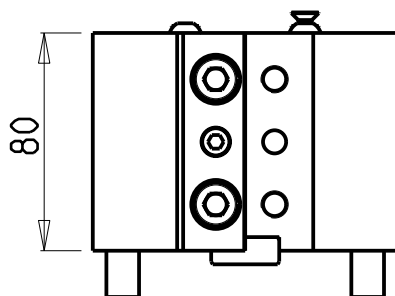
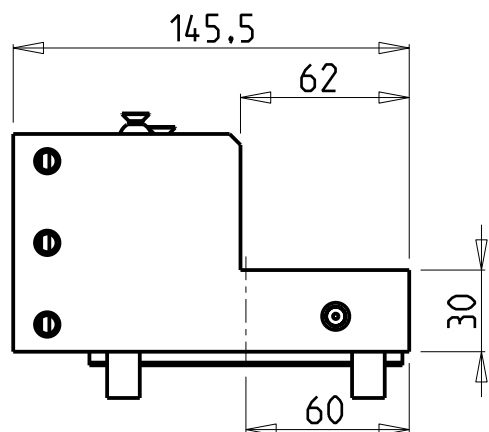
M.T. srl

Via Casino Albini 480
Tel. 0541/956034-957884
Fax 0541/956341
47842 S. GIOVANNI IN M. (RN)
e-mail: mtma@mtmarchetti.com
http://www.mtmarchetti.com

PRODUZIONE MODULI ROTANTI



PAGINA DW0423-4-00



Cod. MT	N°Utensili N°Tools N°Werkzeuge	Reversibile lato mandrino/contromandrino Reversible sub/main spindle side Umkehrbare Spindel-seite/ Gegenspindel-seite	Misure Dimensions Masse	B	H
DW00752500	1	X	mm	25	25

DOOSAN BMT 75

MOD: PUMA 400 - PUMA 480M/LM/XLM - PUMA 4100M - PUMA 5100M - V550M - VT 750M/TM - V8300M

PORTAUTENSILE RADIALE SINGOLO QD=25mm

Radial single static tool QD=25mm

Radial Single-Werkzeughalter QD=25mm

Subject to change without notice.

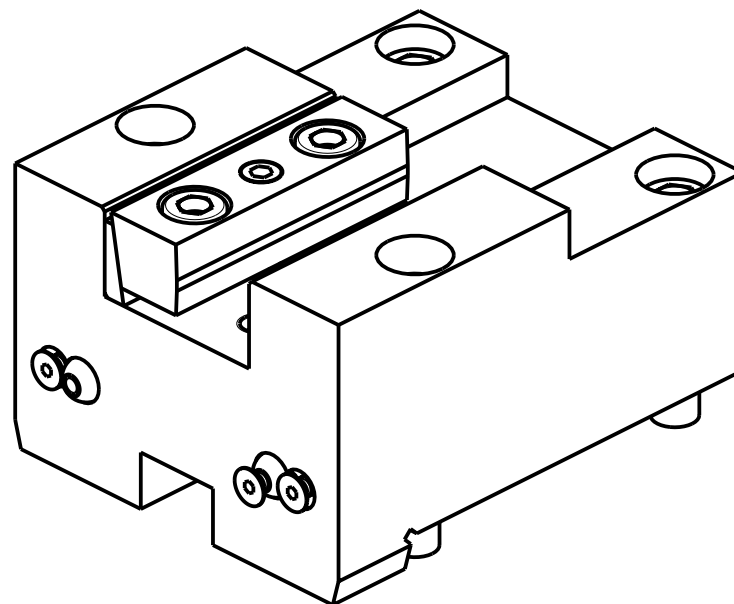
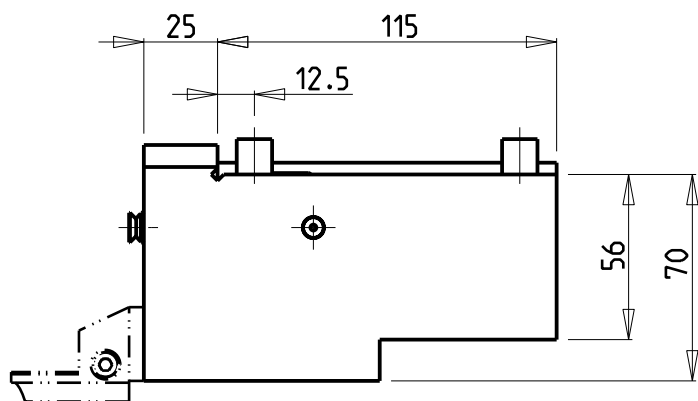
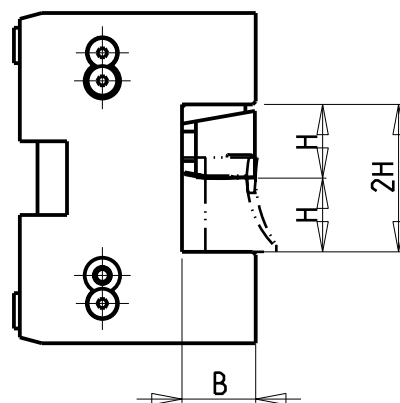
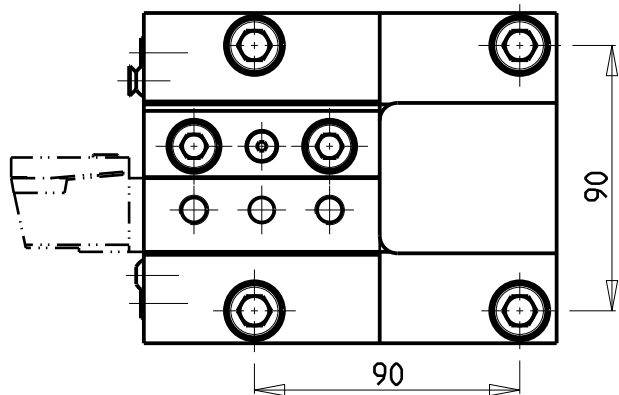
M.T. srl

Via Casino Albini 480
Tel. 0541/956034-957884
Fax 0541/956341
47842 S. GIOVANNI IN M. (RN)
e-mail: mtma@mtmarchetti.com
<http://www.mtmarchetti.com>

PRODUZIONE MODULI ROTANTI



PAGINA DW0423-4-01



Cod. MT	N°Utensili N°Tools N°Werkzeuge	Reversibile lato mandrino/contromandrino Reversible sub/main spindle side Umkehrbare Spindel-seite/ Gegenspindel-seite	Misure Dimensions Masse	B	H
0912500	1	X	mm	25	25
0912540	1	X	Inch	1"	1"
0913175	1	X	Inch	1-1/4"	1-1/4"
0913200	1	X	mm	32	32

DOOSAN BMT 75

MOD: PUMA 400 - PUMA 480M/LM/XLM - PUMA 4100M - PUMA 5100M - V550M - V8300M

PORTAUTENSILE ASSIALE SINGOLO QD=25mm / QD=1" / QD=32mm / QD=1 1/4"

Axial single static tool QD=25mm / QD=1" / QD=32mm / QD=1 1/4"

Axial Single-Werkzeughalter QD=25mm / QD=1" / QD=32mm / QD=1 1/4"

Subject to change without notice.

M.T. srl

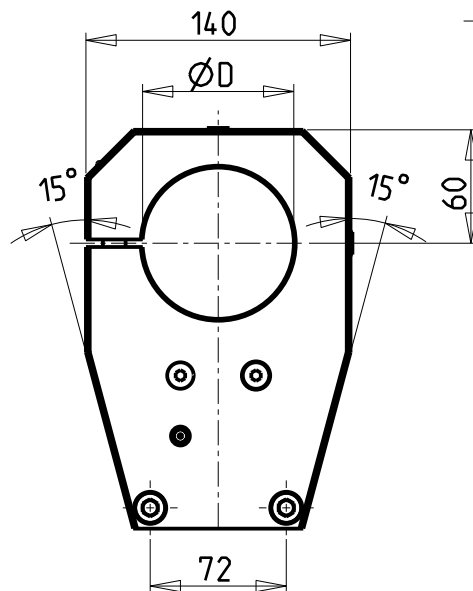
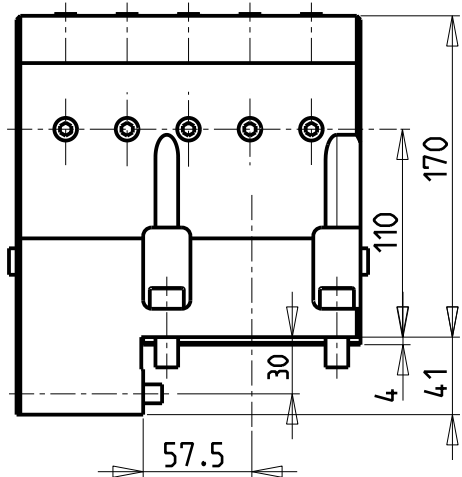
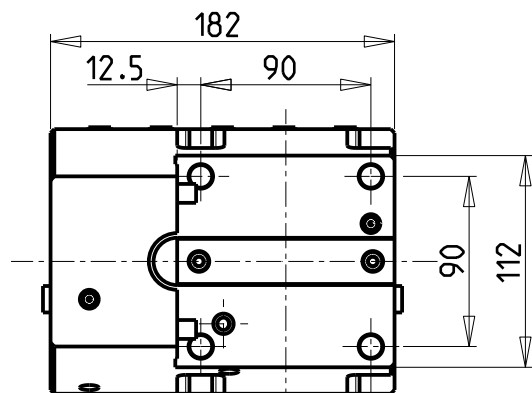
Via Casino Albini 480
Tel. 0541/956034-957884
Fax 0541/956341

47842 S. GIOVANNI IN M. (RN)
e-mail: mtma@mtmarchetti.com
http://www.mtmarchetti.com

PRODUZIONE MODULI ROTANTI

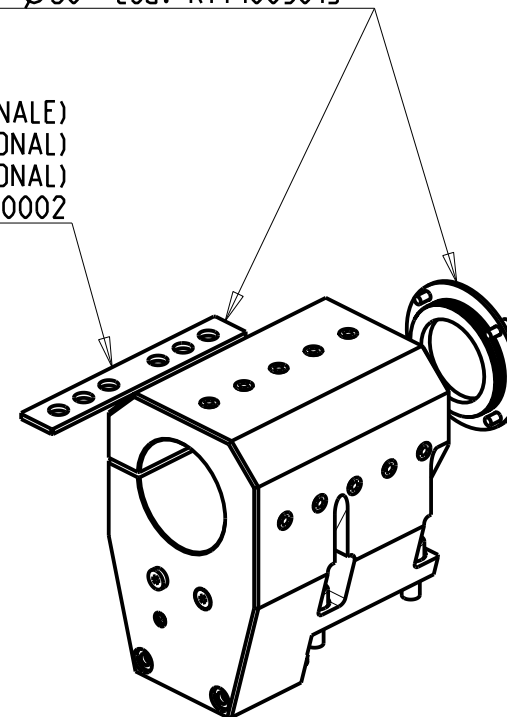


PAGINA DW0552-4-00



KIT ADDUZIONE INTERNA (OPZIONALE)
 KIT FOR INTERNAL COOLANT (OPTIONAL)
 KIT FUER INTERNE KUEHLMITTELZUFUHR (OPTIONAL)
 Ø80 cod. KIT1005013

SOLO GUARNIZIONE (OPZIONALE)
 ONLY SEAL (OPTIONAL)
 NUR DICHTUNG (OPTIONAL)
 cod. MNL0620002



Cod. MT	N°Utensili N°Tools N°Werkzeuge	Lubrificazione int. opzionale Coolant through optional Innenkuehlung Optional	Lubrificazione est. Ext. coolant Aussenkuehlung	Misure Dimensions Masse	D
DW00848000	1	X	X	mm	80

DOOSAN BMT 75

MOD: PUMA 400 - PUMA 480M/LM/XLM - PUMA 4100M - PUMA 5100M - V550M

PORTAUTENSILE ASSIALE PER BARENO Ø80mm H=110mm

Axial single boring bar holder Ø80mm H=110mm

Axial Bohrhalter Ø80mm H=110mm

Subject to change without notice.

M.T. srl

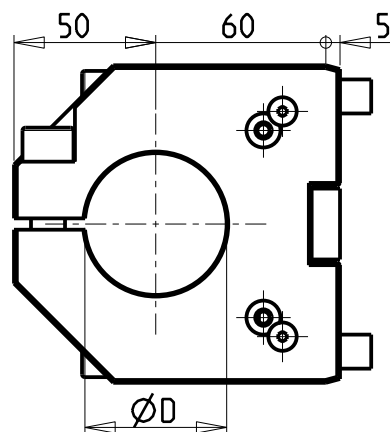
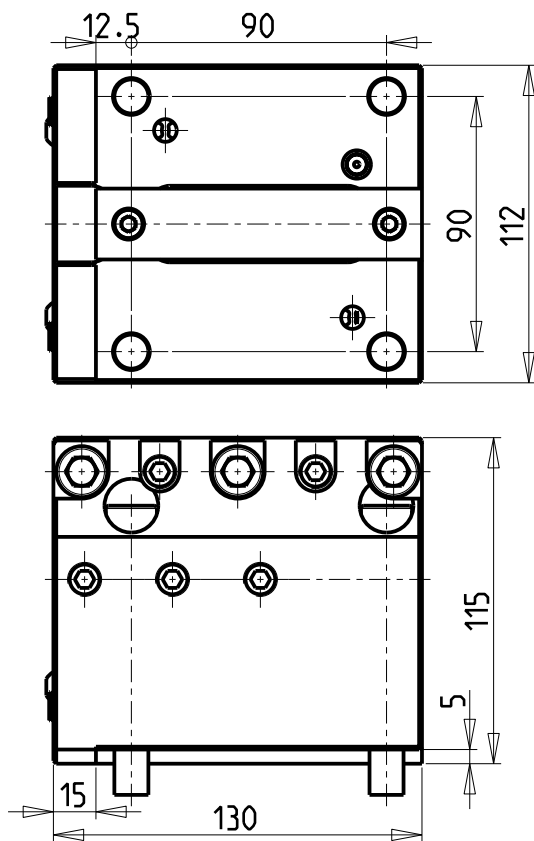
Via Casino Albini 480
 Tel. 0541/956034-957884
 Fax 0541/956341

47842 S. GIOVANNI IN M. (RN)
 e-mail: mtma@mtmarchetti.com
 http://www.mtmarchetti.com

PRODUZIONE MODULI ROTANTI

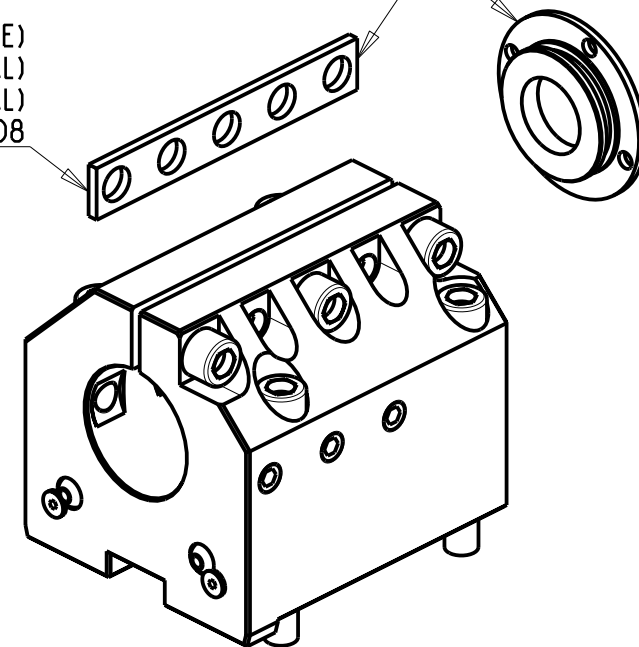


PAGINA DW0580-4-20



KIT ADDUZIONE INTERNA (OPZIONALE)
 KIT FOR INTERNAL COOLANT (OPTIONAL)
 KIT FUER INTERNE KUEHLMITTELZUFUHR (OPTIONAL)
 Ø1 1/2" cod. KIT1001004
 Ø40 cod. KIT1001003
 Ø50-Ø2" cod. KIT1001002

SOLO GUARNIZIONE (OPZIONALE)
 ONLY SEAL (OPTIONAL)
 NUR DICHTUNG (OPTIONAL)
 cod. MNL0110008



PER BOCCOLE DI RIDUZIONE VEDI PAG. TBL150-1-00
 FOR REDUCING BUSHINGS SEE PAGE TBL150-1-00
 FÜR REDUZIERBUCHSE SIEHE SEITE TBL150-1-00

Cod. MT	N°Utensili N°Tools N°Werkzeuge	Reversibile lato mandrino/contromandrino Reversible sub/main spindle side Umkehrbare Spindel-seite/ Gegenspindel-seite	Lubrificazione int. opzionale Coolant through optional Innenkuehlung Optional	Lubrificazione est. Ext. coolant Aussenkuehlung	Misure Dimensions Masse	D
DW00364000	1	X	X	X	mm	40
DW00363810	1	X	X	X	Inch	1 1/2"
DW00365000	1	X	X	X	mm	50
DW00365080	1	X	X	X	Inch	2"

DOOSAN BMT 75

MOD: PUMA 400 - PUMA 480M/LM/XLM - PUMA 4100M - PUMA 5100M - V550M - V8300M

PORTAUTENSILE ASSIALE PER BARENO Ø40mm/Ø1 1/2"/Ø50mm/Ø2" H=60mm

Axial single boring bar holder Ø40mm/Ø1 1/2"/Ø50mm/Ø2" H=60mm

Axial Bohrhälter Ø40mm/Ø1 1/2"/Ø50mm/Ø2" H=60mm

Subject to change without notice.

M.T. srl

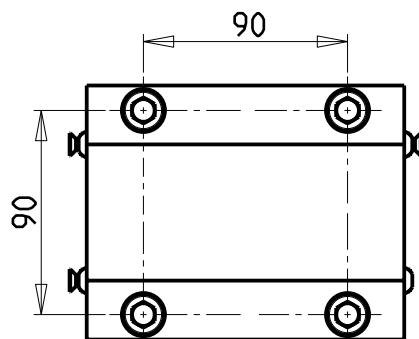
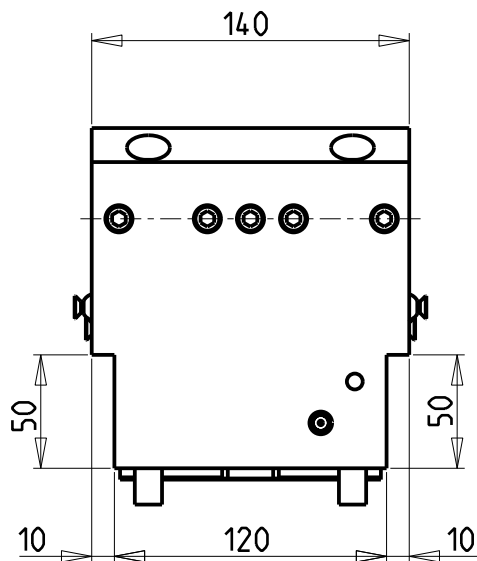
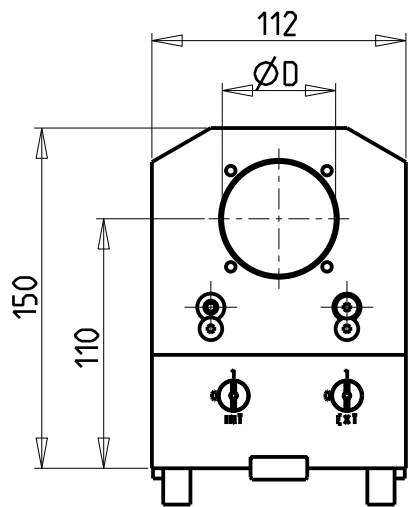
Via Casino Albini 480
 Tel. 0541/956034-957884
 Fax 0541/956341
 47842 S. GIOVANNI IN M. (RN)
 e-mail: mtma@mtmarchetti.com
 http://www.mtmarchetti.com

PRODUZIONE MODULI ROTANTI

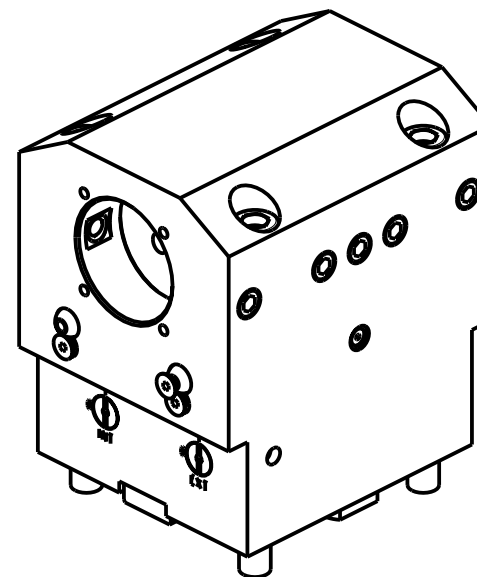


PAGINA DW0610-4-20

04/2020



KIT ADDUZIONE INTERNA (OPZIONALE)
 KIT FOR INTERNAL COOLANT (OPTIONAL)
 KIT FUER INTERNE KUEHLMITTELZUFUHR (OPTIONAL)
 Ø50 cod. KIT1000002



PER BOCCOLE DI RIDUZIONE VEDI PAG. TBL150-1-00
 FOR REDUCING BUSHINGS SEE PAGE TBL150-1-00
 FÜR REDUZIERBUCHSE SIEHE SEITE TBL150-1-00

Cod. MT	N°Utensili N°Tools N°Werkzeuge	Lubrificazione int. opzionale Coolant through optional Innenkuehlung Optional	Lubrificazione est. Ext. coolant Aussenkuehlung	Misure Dimensions Masse	D
DW01335000	1	X	X	mm	50

DOOSAN BMT 75

MOD: PUMA 400 - PUMA 480M/LM/XLM - PUMA 4100M - PUMA 5100M - V550M - V8300M

PORTAUTENSILE ASSIALE PER BARENO Ø50mm H=110mm

Axial single boring bar holder Ø50mm H=110mm

Axial Bohrhälter Ø50mm H=110mm

Subject to change without notice.

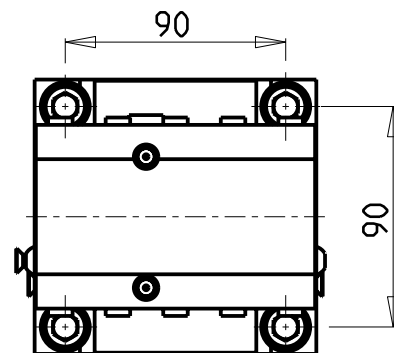
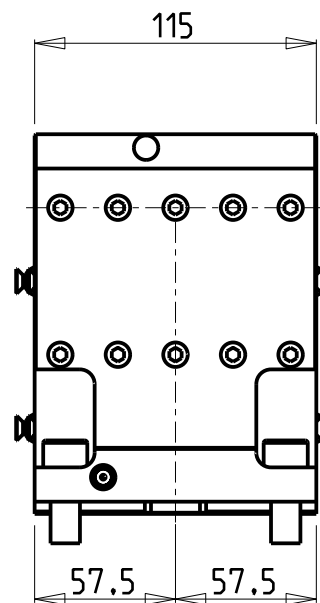
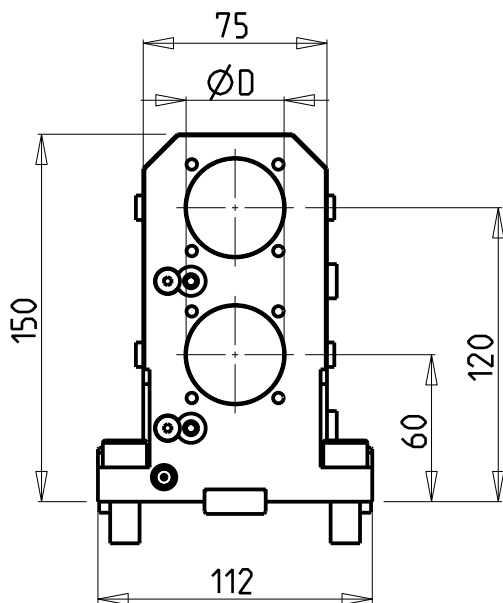
M.T. srl

Via Casino Albini 480
 Tel. 0541/956034-957884
 Fax 0541/956341
 47842 S. GIOVANNI IN M. (RN)
 e-mail: mtma@mtmarchetti.com
 http://www.mtmarchetti.com

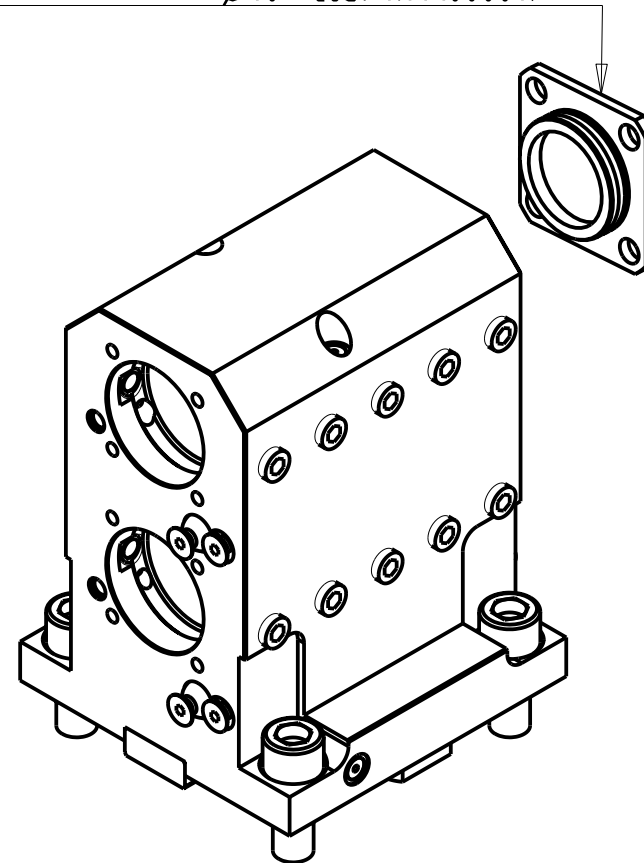
PRODUZIONE MODULI ROTANTI



PAGINA DW0620-4-10



KIT ADDUZIONE INTERNA (OPZIONALE)
 KIT FOR INTERNAL COOLANT (OPTIONAL)
 KIT FUER INTERNE KUEHLMITTELZUFUHR (OPTIONAL)
 Ø40 cod. KIT1000019



PER BOCCOLE DI RIDUZIONE VEDI PAG. TBL150-1-00
 FOR REDUCING BUSHINGS SEE PAGE TBL150-1-00
 FÜR REDUZIERBUCHSE SIEHE SEITE TBL150-1-00

Cod. MT	Reversibile lato mandrino/contromandrino Reversible sub/main spindle side Umkehrbare Spindel-seite/ Gegenspindel-seite	Lubrificazione int. opzionale Coolant through optional Innenkuehlung Optional	Lubrificazione est. Ext. coolant Aussekuehlung	Misure Dimensions Masse	D
DW02414000	X	X	X	mm	40

DOOSAN BMT 75

MOD: PUMA 400 - PUMA 480M/LM/XLM - PUMA 4100M - PUMA 5100M - V550M - VT 750M/TM

PORTAUTENSILE ASSIALE PER BARENO 2 POSIZIONI Ø40mm

Axial double boring bar holder Ø40mm

Axial Bohrhälter 2 Positionen Ø40mm

Subject to change without notice.

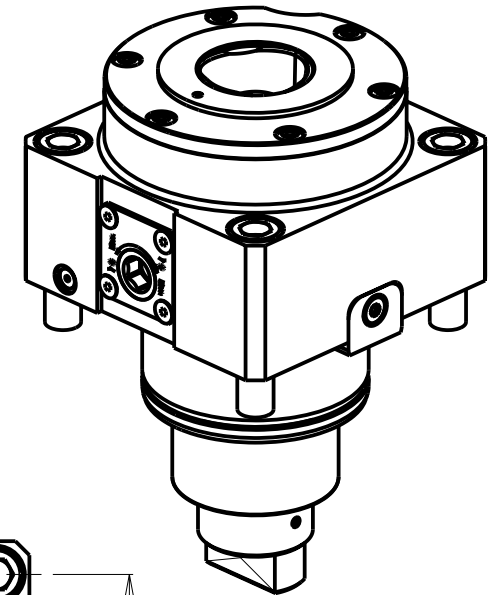
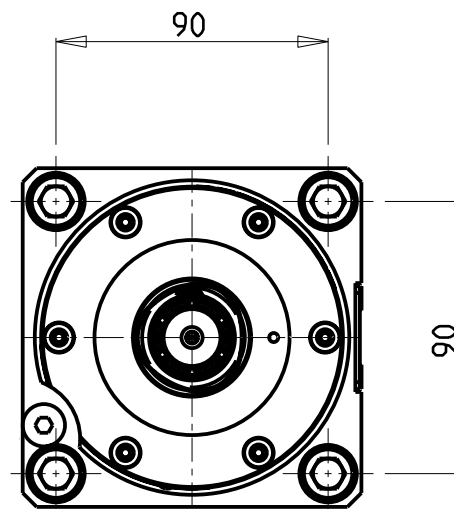
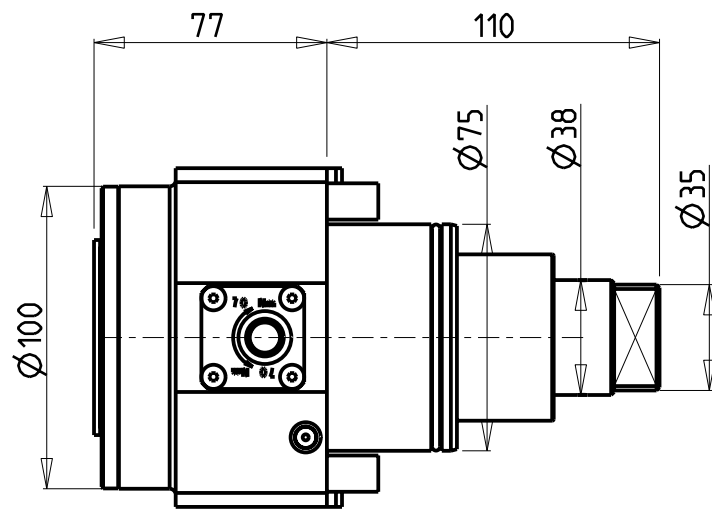
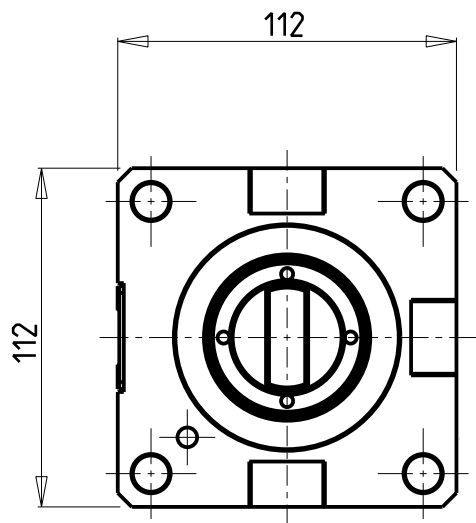
M.T. srl

Via Casino Albini 480
 Tel. 0541/956034-957884
 Fax 0541/956341
 47842 S. GIOVANNI IN M. (RN)
 e-mail: mtma@mtmarchetti.com
 http://www.mtmarchetti.com

PRODUZIONE MODULI ROTANTI



PAGINA DW0870-4-00



Cod. MT	TAGLIA Size Masse	I	RPM	Coppia Max Max Torque Max Drehmoment	Lubrificazione int. Coolant through Innenkuehlung	Lubr.esterna Ext. coolant Aussenkuehlung	
DW03030250	C5	1:1	6000	140Nm	P=70bar	X	NEW

DOOSAN BMT 75

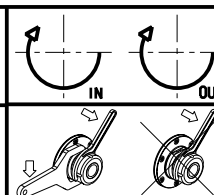
MOD: PUMA 400 - PUMA 480M/LM/XLM - PUMA 4100M - PUMA 5100M - V550M - VT 750M/TM - V8300M

MODULO MOTORIZZATO RADIALE MT CAPTO

Radial driven tool MT CAPTO

Radial angetriebenes Werkzeug MT CAPTO

Subject to change without notice.



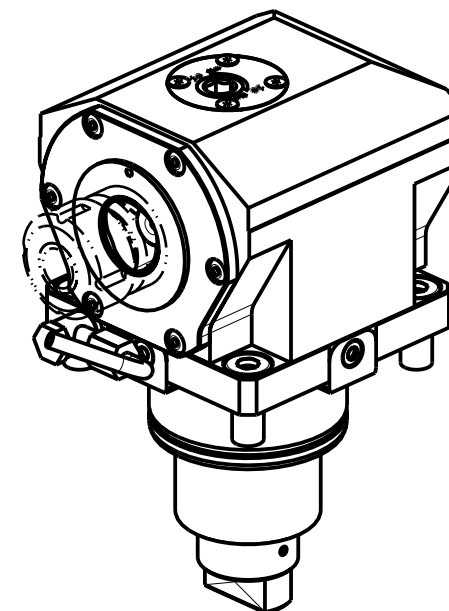
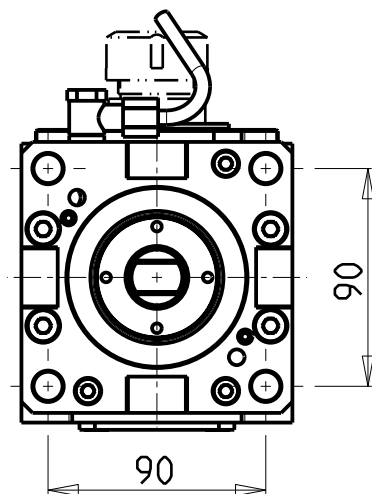
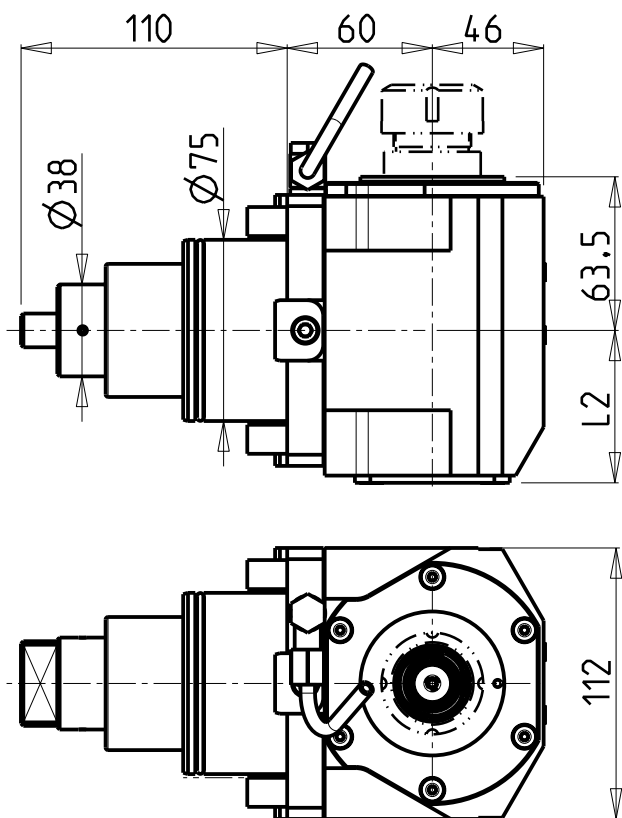
M.T. srl

Via Casino Albini 480
Tel. 0541/956034-957884
Fax 0541/956341
47842 S. GIOVANNI IN M. (RN)
e-mail: mtma@mtmarchetti.com
<http://www.mtmarchetti.com>

PRODUZIONE MODULI ROTANTI



PAGINA DW0010-D-50



Cod. MT	TAGLIA Size Masse	i	RPM	Coppia Max Max Torque Max Drehmoment	Reversibile lato mandrino/contromandrino Reversible sub/main spindle side Umkehrbare Spindel-seite/ Gegenspindel-seite	Lubr.interna Coolant through Innenkuehlung	Lubr.esterna Ext. coolant Aussenkuehlung	L2
DW 00610140	C4	1:1	6000	140Nm	X	-	X	63
DW 00610240	C4	1:1	6000	140Nm	X	P=70bar	X	75.5
DW 00610150	C5	1:1	6000	140Nm	X	-	X	63
DW 00610250	C5	1:1	6000	140Nm	X	P=70bar	X	75.5

DOOSAN BMT 75

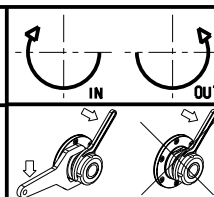
MOD: PUMA 400 - PUMA 480M/LM/XLM - PUMA 4100M - PUMA 5100M - V550M - V8300M

MODULO MOTORIZZATO ASSIALE MT CAPTO

Axial driven tool MT CAPTO

Axial angetriebenes Werkzeug MT CAPTO

Subject to change without notice.



M.T. srl

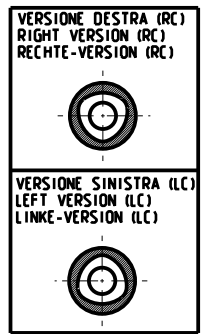
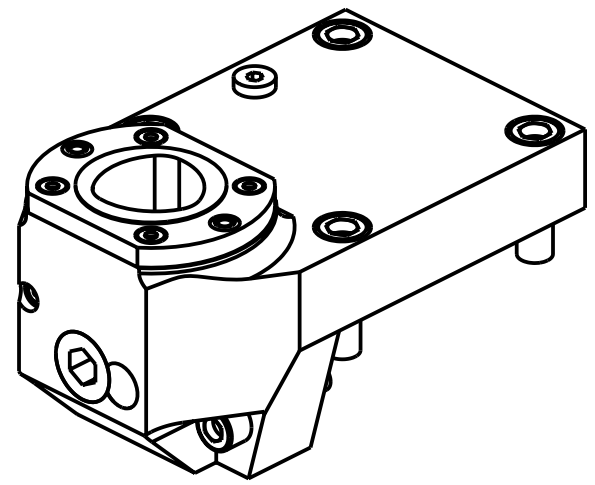
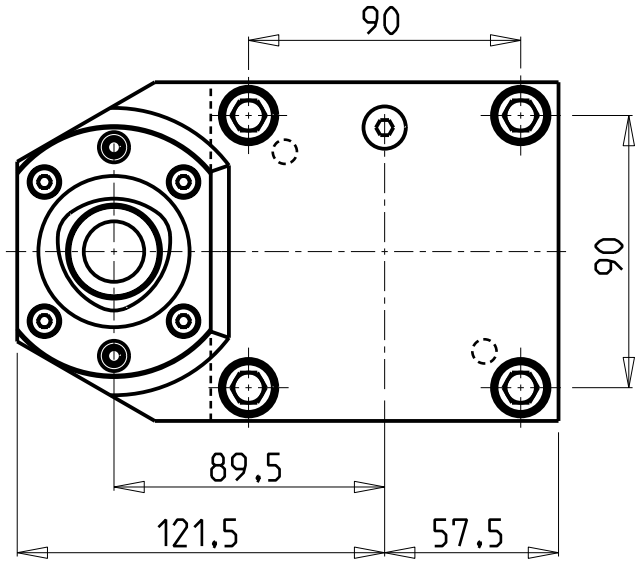
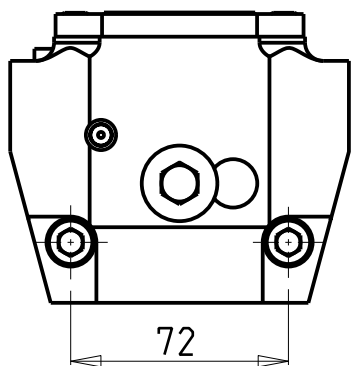
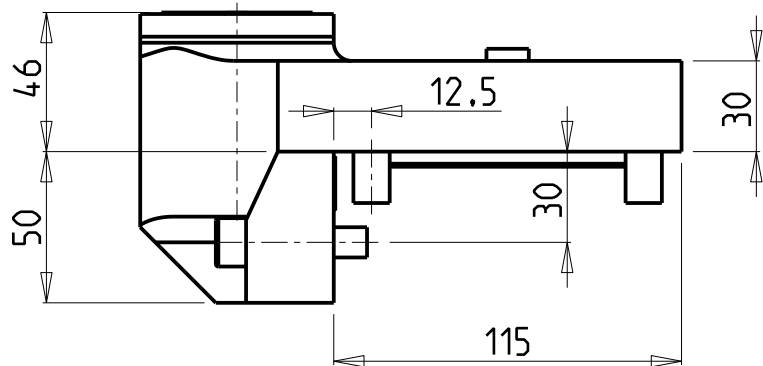
Via Casino Albini 480
Tel. 0541/956034-957884
Fax 0541/956341

47842 S. GIOVANNI IN M. (RN)
e-mail: mtma@mtmarchetti.com
http://www.mtmarchetti.com

PRODUZIONE MODULI ROTANTI



PAGINA DW0150-D-40



PER ORDINARE LA VERSIONE SX
 AGGIUNGERE "LC" AL CODICE IN TABELLA.
 ES: DW00505010 DIVENTA DW00505010LC

TO ORDER LEFT VERSION
 ADD A "LC" IN THE CODE-CHARTS.
 EXAMPLE: DW00505010 BECOMES DW00505010LC

UM DIE LINKE-VERSION ZU BESTELLEN, BEI DER
 ARTIKELBEZEICHNUNG "LC" HINZUFUEGEN.
 BEISPIEL: DW00505010 WIRD DANN DW00505010LC

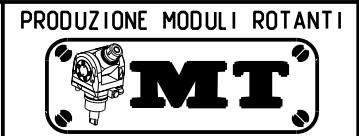
Cod. MT	N°Utensili N°Tools N°Werkzeuge	Lubrificazione int. Coolant through Innenkuehlung	Lubrificazione est. Ext. coolant Aussenkuehlung	TAGLIA Size Masse
DW00505010	1	X	X	C5

DOOSAN BMT 75
 MOD: PUMA 400 - PUMA 480M/LM/XLM - PUMA 4100M - PUMA 5100M - V550M - VT 750M/TM - V8300M

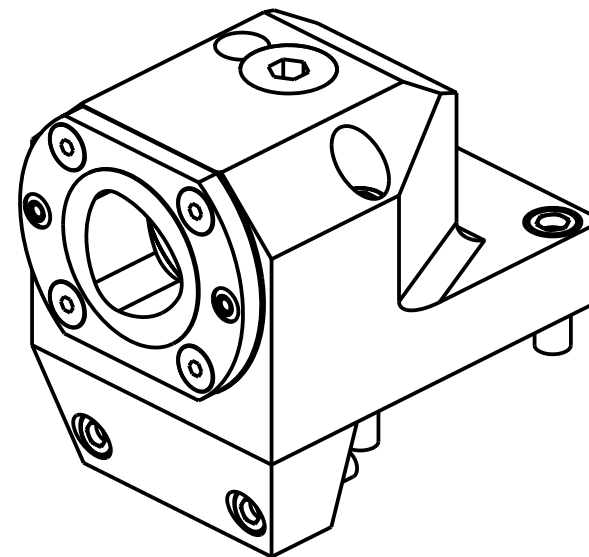
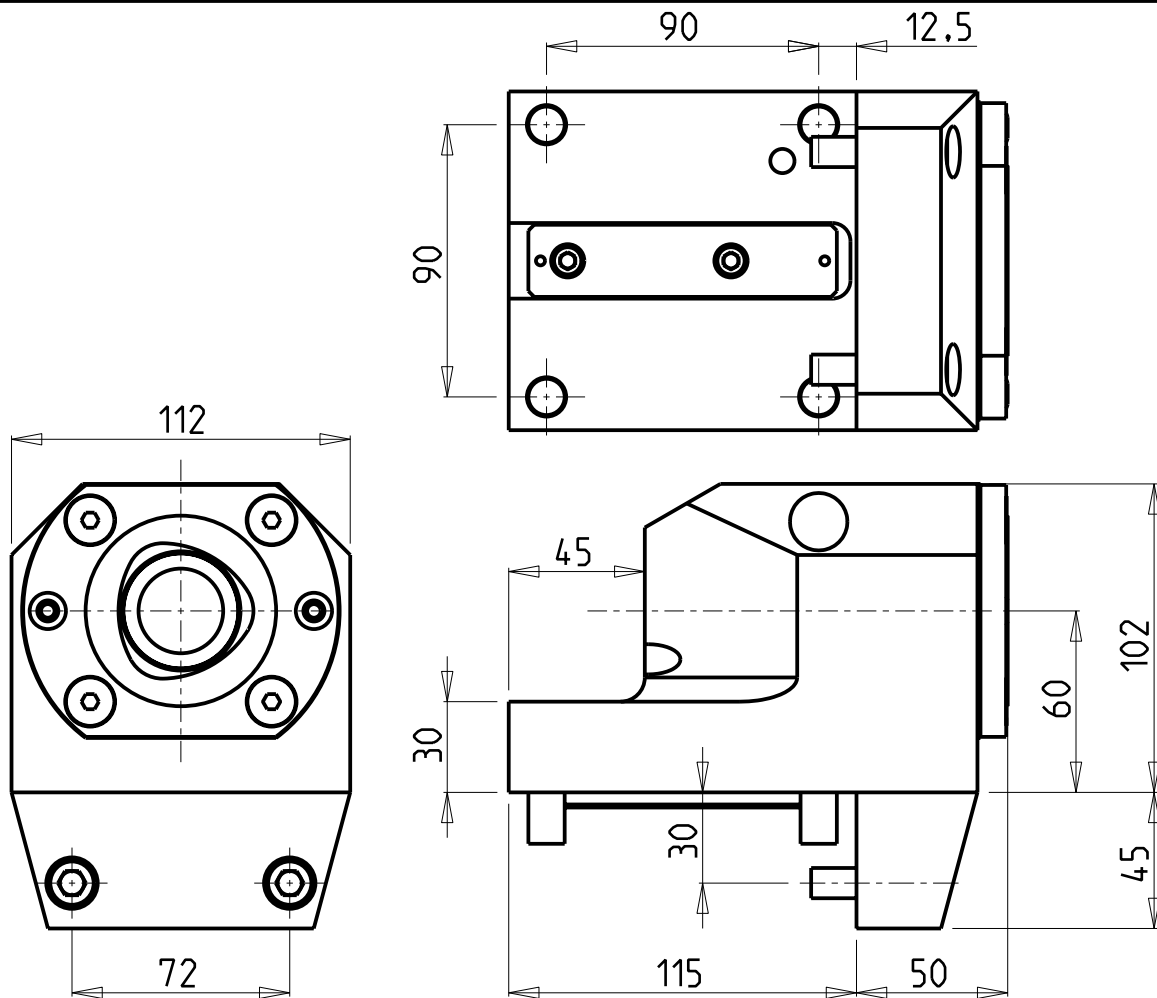
PORTAUTENSILE RADIALE SINGOLO ARRETRATO MT CAPTO
 Radial single rear-set static tool MT CAPTO
 Radial Single-Werkzeughalter zurueckversetzt MT CAPTO

Subject to change without notice.

M.T. srl
 Via Casino Albini 480
 Tel. 0541/956034-957884
 Fax 0541/956341
 47842 S. GIOVANNI IN M. (RN)
 e-mail: mtma@mtmarchetti.com
 http://www.mtmarchetti.com



PAGINA DW 0430-D-50



VERSIONE DESTRA (RC)
RIGHT VERSION (RC)
RECHTE-VERSION (RC)



VERSIONE SINISTRA (LC)
LEFT VERSION (LC)
LINKE-VERSION (LC)



**PER ORDINARE LA VERSIONE SX
AGGIUNGERE "LC" AL CODICE IN TABELLA.
ES: DW00516010 DIVENTA DW00516010LC**

**TO ORDER LEFT VERSION
ADD A "LC" IN THE CODE-CHARTS.
EXAMPLE: DW00516010 BECOMES DW00516010LC**

**UM DIE LINKE-VERSION ZU BESTELLEN, BEI DER
ARTIKELBEZEICHNUNG "LC" HINZUFUEGEN.
BEISPIEL: DW00516010 WIRD DANN DW00516010LC**

Cod. MT	N°Utensili N°Tools N°Werkzeuge	Lubrificazione int. Coolant through Innenkuehlung	TAGLIA Size Masse
DW00516010	1	X	C6

DOOSAN BMT 75
MOD: PUMA 400 - PUMA 480M/LM/XLM - PUMA 4100M - PUMA 5100M - V550M - V8300M

PORTAUTENSILE ASSIALE SINGOLO MT CAPTO
Axial single static tool MT CAPTO
Axial Single-Werkzeughalter MT CAPTO

Subject to change without notice.

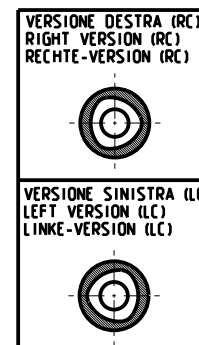
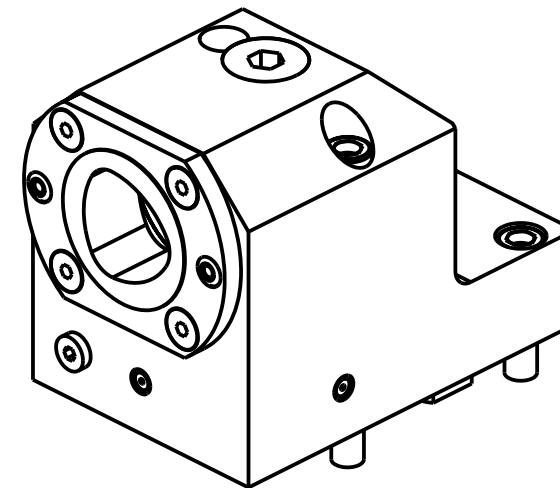
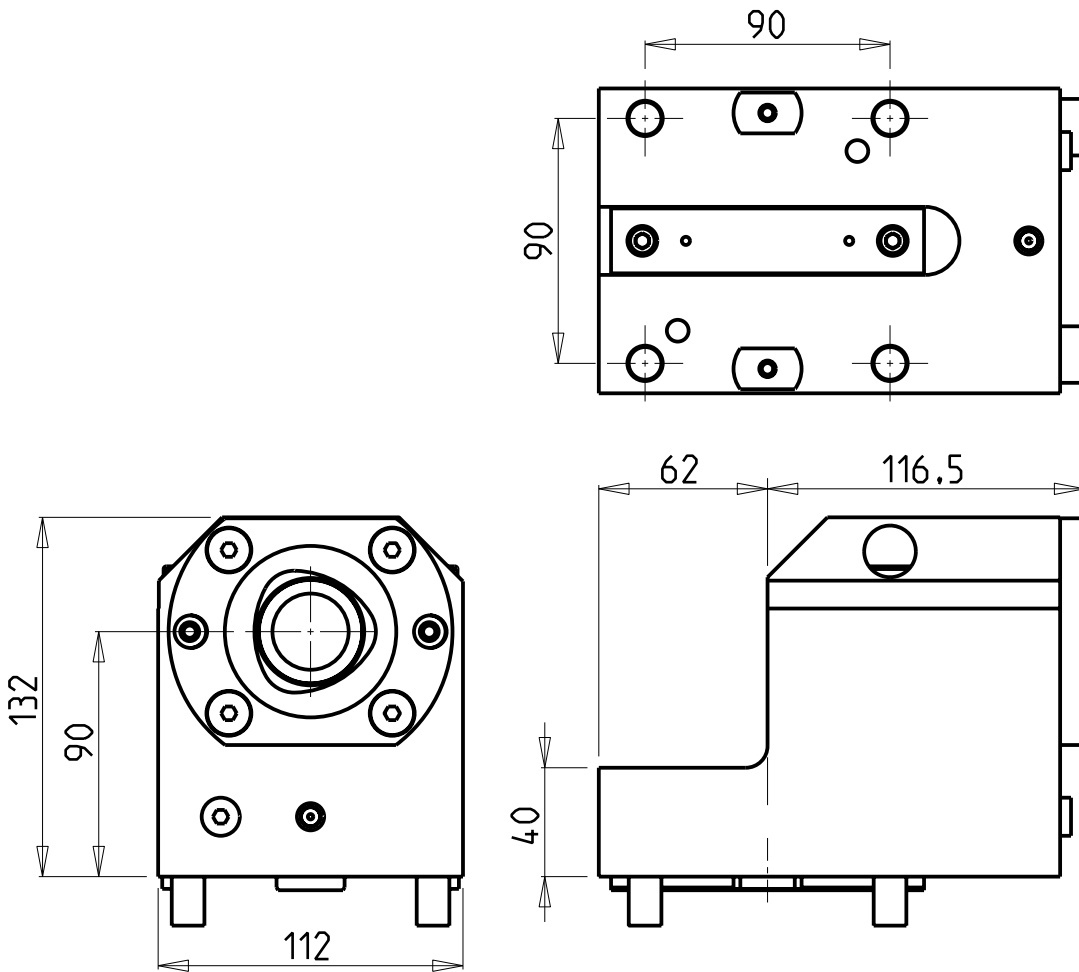
M.T. srl

Via Casino Albini 480
Tel. 0541/956034-957884
Fax 0541/956341
47842 S. GIOVANNI IN M. (RN)
e-mail: mtma@mtmarchetti.com
http://www.mtmarchetti.com

PRODUZIONE MODULI ROTANTI



PAGINA DW 0550-D-60



PER ORDINARE LA VERSIONE SX
AGGIUNGERE "LC" AL CODICE IN TABELLA.
ES: DW02856010 DIVENTA DW02856010LC

TO ORDER LEFT VERSION
ADD A "LC" IN THE CODE-CHARTS.
EXAMPLE: DW02856010 BECOMES DW02856010LC

UM DIE LINKE-VERSION ZU BESTELLEN, BEI DER
ARTIKELBEZEICHNUNG "LC" HINZUFUEGEN.
BEISPIEL: DW02856010 WIRD DANN DW02856010LC

Cod. MT	N°Utensili N°Tools N°Werkzeuge	Lubrificazione int. Coolant through Innenkuehlung	Lubrificazione est. Ext. coolant Aussenkuehlung	Reversibile lato mandrino/contromandrino Reversible sub/main spindle side Umkehrbare Spindel-seite/ Gegenspindel-seite	TAGLIA Size Masse
DW02856010	1	X	X	X	C6

DOOSAN BMT 75

MOD: PUMA 400 - PUMA 480M/LM/XLM - PUMA 4100M - PUMA 5100M - V550M - VT 750M/TM - V8300M

PORTAUTENSILE ASSIALE SINGOLO MT CAPTO

Axial single static tool MT CAPTO

Axial Single-Werkzeughalter MT CAPTO

Subject to change without notice.

M.T. srl

Via Casino Albini 480
Tel. 0541/956034-957884
Fax 0541/956341
47842 S. GIOVANNI IN M. (RN)
e-mail: mtma@mtmarchetti.com
http://www.mtmarchetti.com

PRODUZIONE MODULI ROTANTI



PAGINA DW0551-D-60

