

S2340A00M

PART NO.

SUPERSEDED BY

SUPERSEDES

ENG. OR FILE

USED ON:

PART NO.

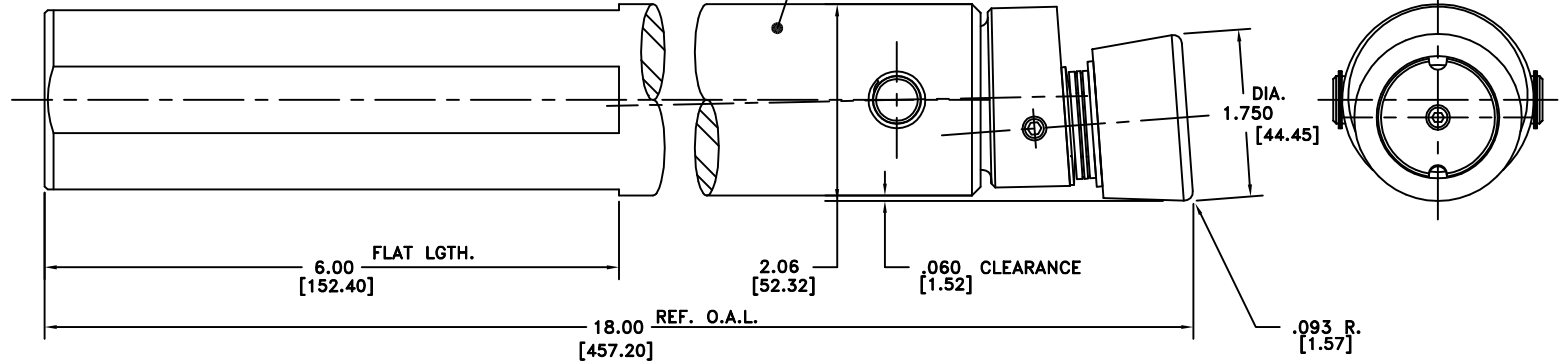
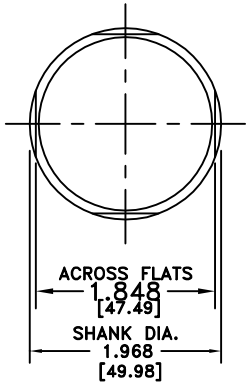
S2340A00M

SHEET NO. OF

ENG. CHANGE NO.

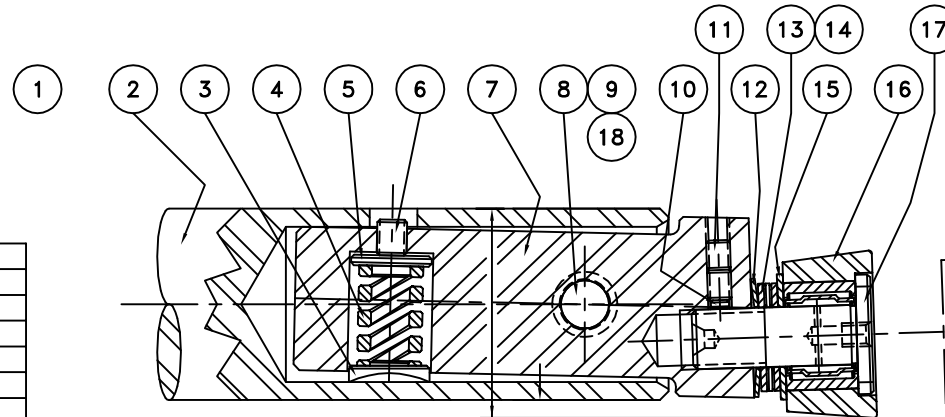
ASSEMBLY NOTE:
MARK NAME PLATE AT ASSEMBLY
S2340A00M

TOOL SHOWN IN DEFLECTED POSITION

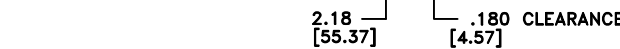


PLACE ORING ON PIVOT PIN BETWEEN THE ROLLER SHAFT AND THE SHANK ASSEMBLY

SPRING PRESSURE INFORMATION			
COMPRESSION SPRING (DET. 4)		BELLEVILLE SPRING (DET. 12)	
DEFLECTION	PRESSURE	DEFLECTION	PRESSURE
.100 [2.54]	140 LBS.	.011 [0.27]	95 LBS.
.150 [3.81]	210 LBS.	.022 [0.56]	145 LBS.
.200 [5.08]	280 LBS.	.033 [0.84]	165 LBS.
.250 [6.35]	350 LBS.	.044 [1.11]	170 LBS.



OK
S.G.P.
7.15.08



TOOL SHOWN IN HOME POSITION

NOTE:

- 1) LUBRICATION FITTING (DET. B) AND SOC. SET SCREW (DET. A) COMES WITH AXLE (DET. 17)
- 2) GREASE LUBRICATE TOOL WITH LUBRICATION FITTING (DET.B) IN PLACE. REMOVE LUBRICATION FITTING (DET.B) AND REPLACE WITH SOC.SET SCREW (DET.A). LUBRICATION FITTING (DET.B) TO BE SHIPPED WITH ASSEMBLED TOOL.
- 3) NEEDLE BEARING SUPPLIED WITH ROLL (DET.16).

PART NO.	PART NAME	PART NUMBER	REQ.	CHG. OUT
18	ORING	P8309-09A	2	
17	AXLE	S2075D10	1	
16	ROLL	S2233-05	1	
15	BEARING RACE	S2075D17	1	
14	THRUST BEARING	P1067-1	1	
13	THRUST RACE	P1067K	2	
12	BELLEVILLE SPRING	579-94	1	
11	SOC.SET SCREWS	128N	3	
10	BRASS SLUGS	4236H1AP	2	
9	RETAINING RINGS	P8286-50	2	
8	PIVOT PIN	S1920D12	1	
7	ROLLER SHAFT	S2320D7	1	
6	SOC.SET SCREW	173W	1	
5	SLUG	S1920D17	1	
4	COMPRESSION SPRING	S1969-39	1	
3	SLUG	S1920D15	1	
2	SHANK ASSEMBLY	S2320-18M	1	
1	ASSEMBLED TOOL	S2340A00M	~	



THIS DRAWING CONTAINS INFORMATION OF A PROPRIETARY NATURE AND IS ISSUED FOR REFERENCE USE ONLY AND MAY NOT BE COPIED, REPRODUCED OR USED TO MANUFACTURE ANYTHING SHOWN HEREON WITHOUT WRITTEN PERMISSION.

NAME **CARBIDE-ROLLER BURNISHING TOOL**

DR. BY: *S.G.Poettinger 7.2.08* TOOL NO.

CHK. BY: *R.T. (07-11-08)* PROJECT NO.

SCALE = **NONE**

PART NO.

S2340A00M